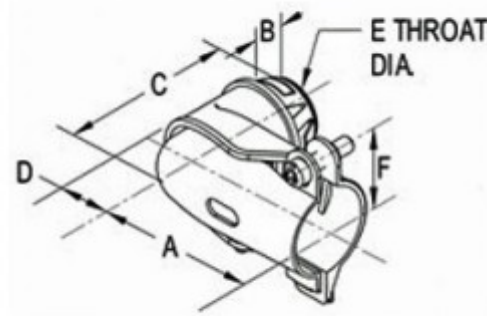


E-Z LOCK® Single Screw 90° Snap-In

90 Degree Fitting with cover used for connecting Flexible Metal conduit to box or enclosure. Single screw design and patented Whipper-Snap® design saves time and money with every installation! Simply snap assembly into electrical box. External spring steel locking tabs secures connector to electrical box.

[Download Photo](#)[Download Drawing](#)

Product details

Catalog Number:	851SP
UPC Number:	78174770851
Primary Materials:	Zinc Die Cast, Steel Cover
Finish:	Ball Burnished, Mirror Smooth
Trade Size:	1/2"
Unit Quantity:	25
Standard Package Quantity:	100

Dimensions

Trade Size:	1/2"
Dimensions A:	1-5/8
Dimensions B:	7/16
Dimensions C:	1-9/16
Dimensions D:	1/2
Dimensions E:	5/8
Dimensions F:	21/32

Certifications & Codes

Federal Specification Number: A-A-50552**UL File Number:** E9391**UNSPSC:** 39121438**Nema Standard:** FB1**UL Standard:** UL-514B