

DRAWING NO.
SD214246-01

7

6

5

4

3

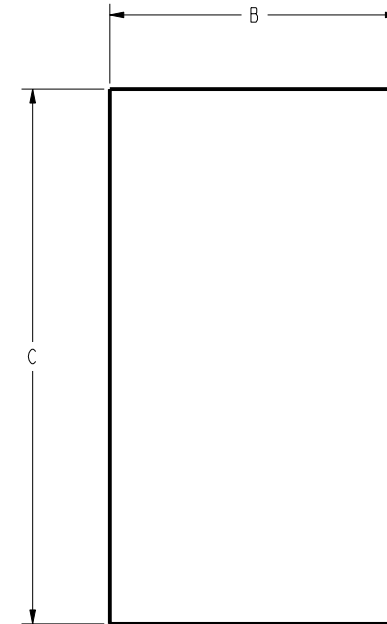
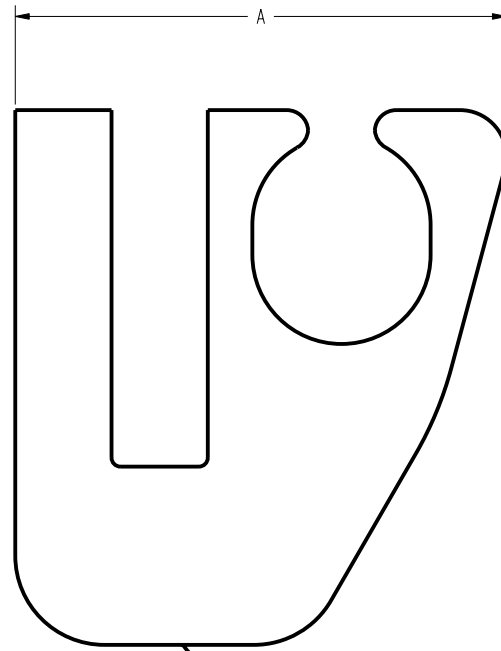
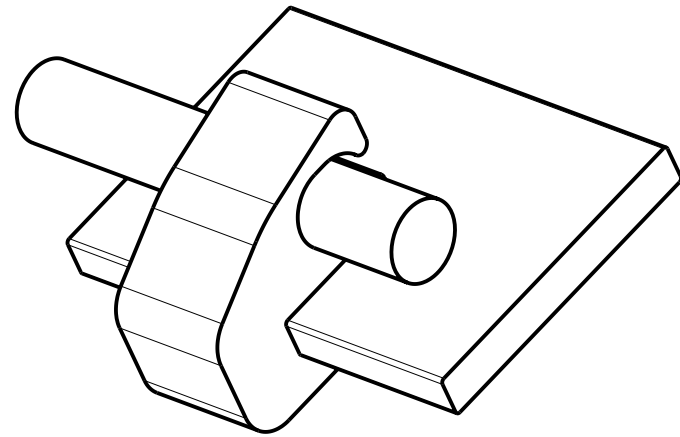
2

1

CONDUCTOR ACCOMMODATION

REV	DATE	DESCRIPTION	ECO	BY	C'H'K.
C	09/17/2011 00:00:00 AM	REVISED PER ECO 24085.	24085	MRA	MA

CATALOG NO.	RUN	TAP	A	B	C
YG14BTC26	1/4" [6.35mm] THICK COPPER BUSBAR	2/0 AWG FLEX DOWN TO #2 AWG STR COPPER	1.378" [35mm]	.812" [20.6mm]	1.500" [38.1mm]
YG14BTC28	1/8" [3.18mm]-1/4" [6.35mm] THICK COPPER BUSBAR	4/0 AWG STR TO 1/0 AWG STR COPPER	1.378" [35mm]	.812" [20.6mm]	1.500" [38.1mm]



BURNDY
YG14BTC26
U1105
2/0 AWG 1/4 CU.
BURIAL

TYPICAL STAMPING

NOTES:

- MATERIAL: PURE WROUGHT COPPER ALLOY.
- CONDUCTOR AND BUSBAR GROOVES PREFILLED WITH PENETROX® S4.
- ACCOMMODATES: SEE TABLE.
- INSTALLED WITH ONE CRIMP USING THE U1105 DIE SET, WITH THE Y750 (DIE U1105) OR Y46 (DIE P1105) HYPRESS™ SERIES HYDRAULIC TOOL.
- DIMENSIONS IN BRACKETS [] ARE IN MILLIMETERS ROUNDED TO THE NEAREST MILLIMETER, UNLESS OTHERWISE SPECIFIED, AND ARE FOR REFERENCE ONLY.
- YG14BTC26 IS UL LISTED TO UL467 GROUNDING AND BONDING EQUIPMENT. YG14BTC28 IS cULus (CANADA AND USA) LISTED TO UL467 GROUNDING AND BONDING EQUIPMENT. TIN PLATED VERSIONS ARE NOT UL LISTED.

7 TO ORDER TIN PLATED ADD SUFFIX "TN" TO THE END OF THE CATALOG NUMBER. EXAMPLE: YG14BTC28TN

TO ORDER BURNDY® PRODUCTS CALL		BUSBAR CONNECTOR	
UNITED STATES 1-800-346-4175 (LONDONDERRY, NH)		ITEM NO: SEE TABLE	CAT. NO: YG14BTC-TABLE
CANADA: 1-800-361-6975 (QUEBEC) 1-800-387-6487 (ALL OTHER PROVINCES)		DRAWN BY: --	CHECKER: --
FOR PRODUCT INFO: http://www.burndy.com		DSN APPVL: G.DITRIOA 01/01/01	MFG APPVL: --
		QA APPVL: J.BRODEUR 01/01/01	MKT APPVL: R.ROBICHEAU 01/01/01
		PROJ #:	SCALE: 4:1
		SIZE: D	DRAWING NO: SD214246-01
		DOCUMENT TYPE: Sales	REV: C
		REL LEVEL: Released	SHEET 1 OF 1

A

A

REV: PE0200

8

7

6

5

4

3

2

1