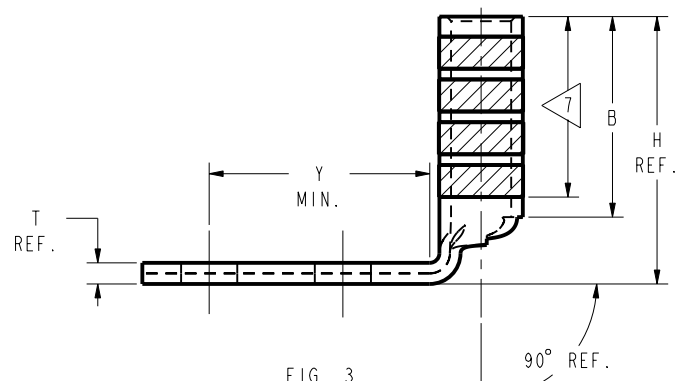
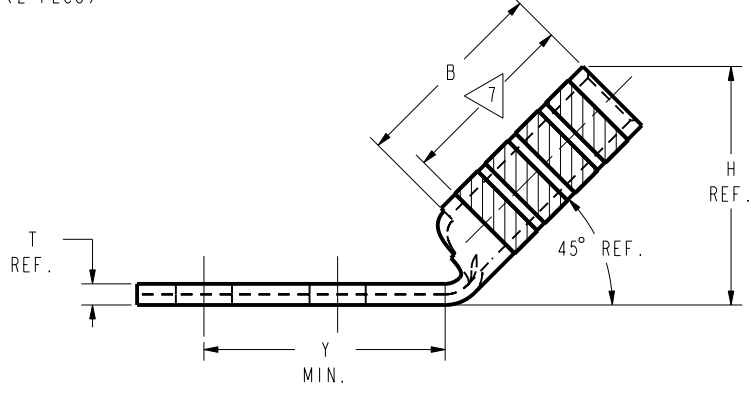
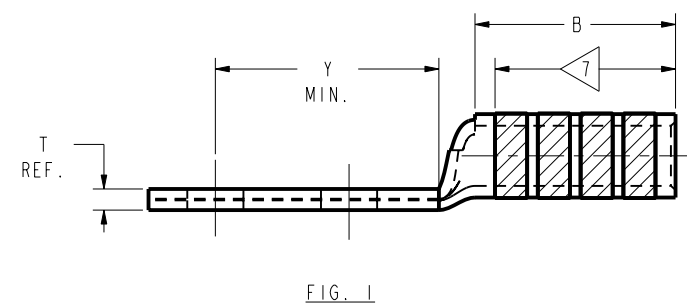
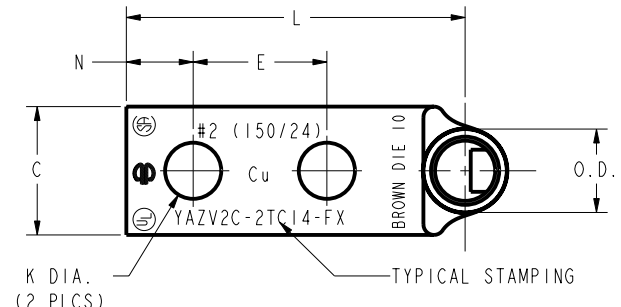
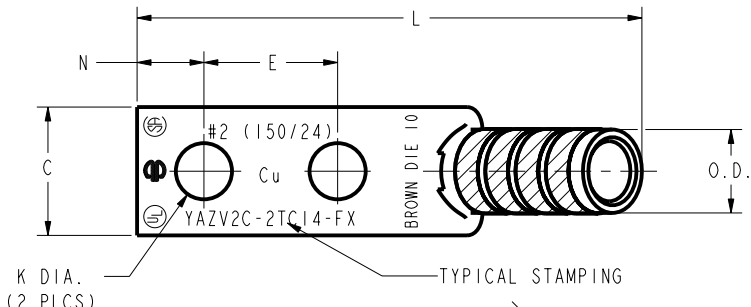
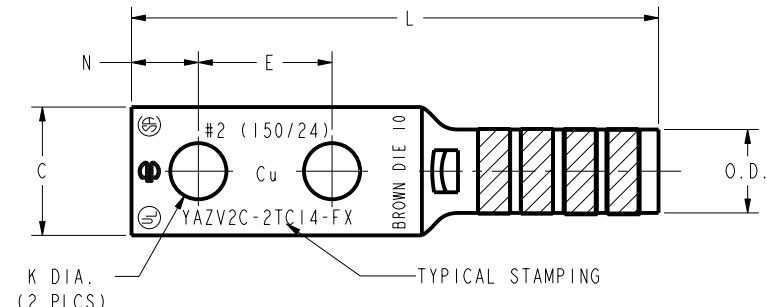


REV	DATE	DESCRIPTION	ECO	BY	C'H'K.
B	1/11/2001 12:00:00 AM	REDRAW AND CATALOG NUMBER UPDATON OF SALES DRAWINGS	17057	BSB	BSK

CATALOG NO.	CONDUCTOR		BOLT SIZE	FIG. NO.	DIMENSIONS										INSTALLATION TOOLING (# CRIMPS)										
	FLEX	CODE (AWG)			B	C	E	H	K DIA.	L	N	O.D.	T	Y	DIE INDEX	COLOR CODE	MECHANICAL				HYDRAULIC			DIELESS (# CRIMPS)	WIRE STRIP LENGTH
																	MD7-34R	OUR840	Y2MR	BCT500 Y500CT	Y750 Y35, BAT35 Y39, BAT750	Y46	Y45		
YAZV2C2TC14FX	#2 WELD 125/24 150/24	#2 AWG	1	1.38 [35]	.68 [17]	.62 [16]	---	.27 [7]	3.01 [76]	.31 [8]	.46 [12]	.10 [3]	.96 [24]	10	BROWN	7	7	BROWN (4)	7	7	7	MECHANICAL: MY29-11 (1) HYDRAULIC: Y644, Y644M Y644MBH, (1)	1-7/16		
YAZV2C2TC14FX45			2	1.57 [40]			1.60 [41]		W2CVT X2CRT W2CRT (2)					X2CRT W2CVT (2)	W2CVT X2CRT W2CRT (2)	U2CRT (2)	U2CRT (2)	U2CRT (2)							
YAZV2C2TC14FX90			3	1.90 [48]			1.60 [41]		W2CVT X2CRT W2CRT (2)					X2CRT W2CVT (2)	W2CVT X2CRT W2CRT (2)	U2CRT (2)	U2CRT (2)	U2CRT (2)							
YAZV2C2TC14E2FX	#2 WELD 125/24 150/24	#2 AWG	1	1.38 [35]	.68 [17]	.75 [19]	---	.27 [7]	3.13 [80]	.31 [8]	.46 [12]	.10 [3]	1.09 [28]	10	BROWN	7	7	BROWN (4)	7	7	7				
YAZV2C2TC14E2FX45			2				1.57 [40]		1.73 [44]					W2CVT X2CRT W2CRT (2)	X2CRT W2CVT (2)	W2CVT X2CRT W2CRT (2)	U2CRT (2)	U2CRT (2)	U2CRT (2)						
YAZV2C2TC14E2FX90			3				1.90 [48]		1.73 [44]					W2CVT X2CRT W2CRT (2)	X2CRT W2CVT (2)	W2CVT X2CRT W2CRT (2)	U2CRT (2)	U2CRT (2)	U2CRT (2)						



NOTES:

- MATERIAL: COPPER TUBING.
- FINISH: TIN PLATED.
- CATALOG # PT6515 ADAPTOR IS REQUIRED TO USE "U" DIES IN Y45 SERIES TOOLS.
- CATALOG # PUADP-1 ADAPTOR IS REQUIRED TO USE "U" DIES IN Y46 SERIES TOOLS.
- PERMANENT DIE IN TOOLING.
- DIMENSIONS IN BRACKETS [] ARE IN MILLIMETERS ROUNDED OFF TO THE NEAREST MILLIMETER, UNLESS OTHERWISE NOTED, AND ARE FOR REFERENCE ONLY.
- CRIMP (# OF CRIMPS PER TABLE) WITHIN THE LENGTH BETWEEN THE INK STAMPED CRIMPING AREA.

TO ORDER BURNDY® PRODUCTS CALL UNITED STATES 1-800-346-4175 (LONDONDERRY, NH) CANADA: 1-800-361-6975 (QUEBEC) 1-800-387-6487 (ALL OTHER PROVINCES) FOR PRODUCT INFO: http://www.fciconnect.com	HYLUG™ (TWO HOLE FLEX)	
	ITEM NO:	N/A
	CAT. NO:	YAZV2C- (TABLE)
	DRAWN BY:	D BOISVERT 8/19/99
	CHECKER:	K HENRY 8/26/00
	DSN APPVL:	RR TEAM 9/28/00
	MFG APPVL:	-- --
	QA APPVL:	J BRODEUR 10/6/99
	MKT APPVL:	R ROBICHEAU 10/5/99
	PROJ #:	--
PROJECT #:	--	
DOCUMENT TYPE:	Sales	
REL LEVEL:	Released	
SCALE:	NTS	
DRAWING NO:	SE212273	
REV:	B	
SHEET:	12 OF 48	