

GS Conduit Outlet Boxes, Covers and Hangers

UNILET® for use with Threaded Rigid Metal Conduit and IMC.

Applications

- Serve as pulling fittings.
- Provides openings for splicing.
- Connect and change direction of conduit runs.
- When used with a gasket, GS junction boxes are weatherproof.

Features

- Raintight when enclosed and gasketed with hub or blank covers.
- Extra wide mating surfaces of GS box and cover provide greater gasket contact for more positive seal.
- GSU-20 accommodates connection block.
- Universal design — furnished with 4 threaded universal 3/4" hubs, four 3/4" to 1/2" reducers, and 3 close-up plugs.
- Furnished with mounting lugs.
- Cushion fixture hangers are enclosed and gasketed.

Standard Materials

- Conduit outlet boxes, covers and fixture hangers: malleable iron
- Gaskets: neoprene

Standard Finishes






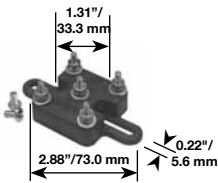
- Malleable iron conduit outlet boxes and covers: triple-coat — (1) zinc electroplate, (2) chromate and (3) epoxy powder coat

Certifications and Compliances

- UL Standard: 514A


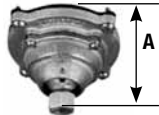
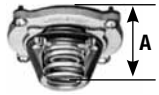
Fittings

FITTINGS: CONDUIT OUTLET BODIES

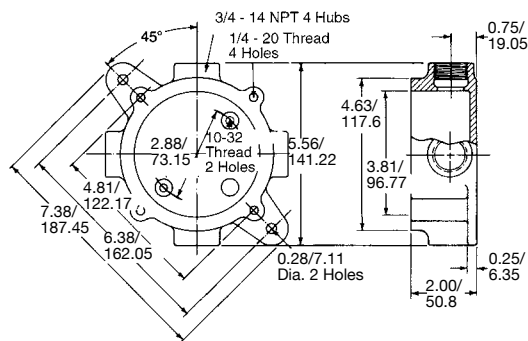
	Description	Hub Size (Inches)	Depth in Inches/Millimeters (A)	Catalog Number
	GS — 1-3/4" Inside Depth, with mounting lugs — Form 20 Four threaded universal 3/4" hubs, four 3/4" to 1/2" reducers, and three 1/2" close-up plugs.	1/2 or 3/4	—	GSU-20
	Four 1" threaded openings and three 1" close-up plugs.	1	—	GSU-100
GS — Cast Covers — Furnished with gasket and screws. Enclosed and gasketed for raintight fit, supports 250 lbs./113.4 kgs.				
	Hub Cover	1/2 3/4	1.75/44.5 1.75/44.5	GSK-50-20 GSK-75-20
	Blank Cover	Blank	1.06/26.9	GSK-BC-20
	GS — Cover, Lamp Receptacle — Furnished with gasket and screws	—	1.63/41.4	GSK-LR20
	GS-20 — Connection Block — Furnished with mounting screws. 5-Wire, 20 A, 300 Volt	—	—	CB205

GS Conduit Outlet Boxes, Covers and Hangers

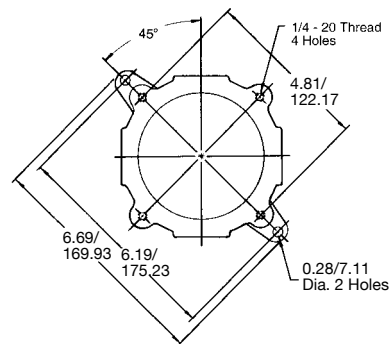
UNILET® for use with Threaded Rigid Metal Conduit and IMC.

Description	Hub Size (Inches)	Depth in Inches/Millimeters (A)	Catalog Number
GS — Gasket, Neoprene 	—	—	GS-GK20-R
GS Flexible Fixture Hangers — Form 20 — Furnished with gasket and screws			
	Ball Type	3.00/76.2	GSK-50-20B
	15° swing in all directions, support 250 lbs./113.4 kgs.	3.25/82.6	GSK-75-20B
	Cushion Type	2.00/50.8	GSK-50-20C
	Enclosed and gasketed — 8° swing in all directions. Cushions 40 lbs./18.1 kgs., supports 250 lbs./113.4 kgs.	2.00/50.8	GSK-75-20C

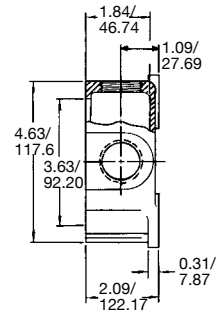
Dimensions in Inches/Millimeters



GSU-20
Inside Depth 1.75"/44.5 mm



GSU-100
Inside Depth 1.75"/44.5 mm



Wiring Capacity

Hub Size (inches)	Capacity (in ³ /dm ³)		
	GS	Hub	GSK Covers
1/2	24.00/0.39	8.50/0.14	8.50/0.14
3/4	24.00/0.39	8.50/0.14	8.50/0.14
1	24.00/0.39	8.50/0.14	8.50/0.14