



**Catalog Number:** NU8980-O-200-KK  
**Item Description:** 200A 4T RL MTR DB PED  
**UPC Code:** 784572215290

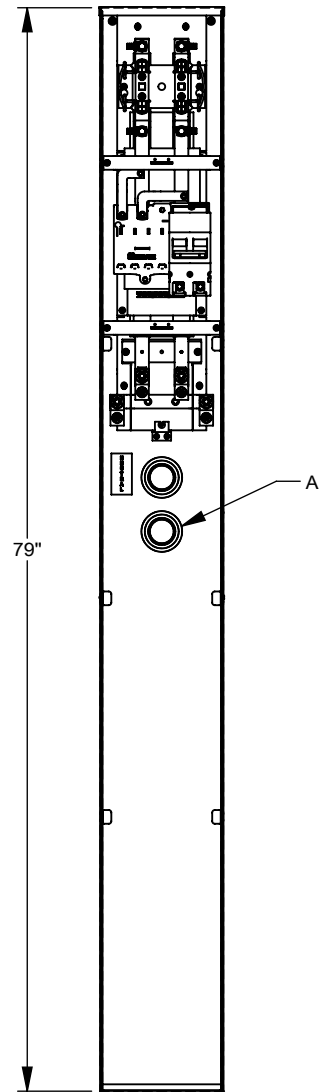
**Brand Name:** Milbank  
**Type:** Ringless Meter Socket  
**Application:** Meter Socket With Main And Load Center  
**Standard:** UL Listed  
**Voltage Rating:** Up to 240 Volts Alternating Current  
**Amperage Rating:** 200 Continuous Ampere  
**Phase:** 1 Phase  
**Frequency Rating:** 60 Hertz  
**Number Of Cutouts:** 1  
**Cutout Size:** 200 Ampere Main Breaker  
**Cable Entry:** Underground  
**Terminal:** Single Mechanical Line Side and Single Mechanical Load Side  
**Mounting:** Pedestal  
**Enclosure:** Type 3R, G90 Galvanized Steel with Powder Coat Finish



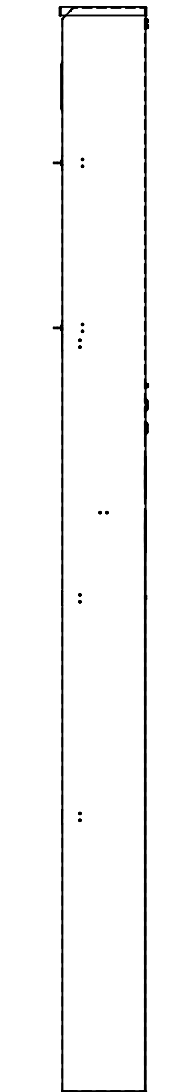
**Additional Specifications:** Number of Jaws:4 Terminal  
Hub Opening and Closing Plates:Plain Top  
Hub Opening and Closing Plates:Plain Top  
Hub Opening and Closing Plates:Plain Top  
Hub Opening and Closing Plates:Plain Top  
Hub Opening and Closing Plates:Plain Top

*Utility requirements may vary. Always consult the serving utility for their requirements prior to ordering or installing this equipment. This product must always be installed by a licensed electrician. Installation of this equipment may require local electrical inspector approval.*

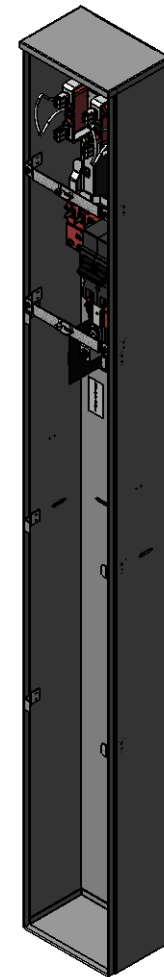
FEATURE TABLE		
ITEM	QTY	DESCRIPTION
A	2	1/4, 1 1/2, 2, 2 1/2 CONC. K.O.



9" O.D.



6" I.D.



**MILBANK**  
ENERGY AT WORK

Version:

**1**

All dimensions are +/- 1/16".  
Drawing views are not to scale.  
Utility requirements for this equipment may vary. Always consult the serving utility for their requirements prior to ordering or installing this equipment. This product must be installed by a licensed electrician. Installation of this equipment may require local electrical inspector approval.