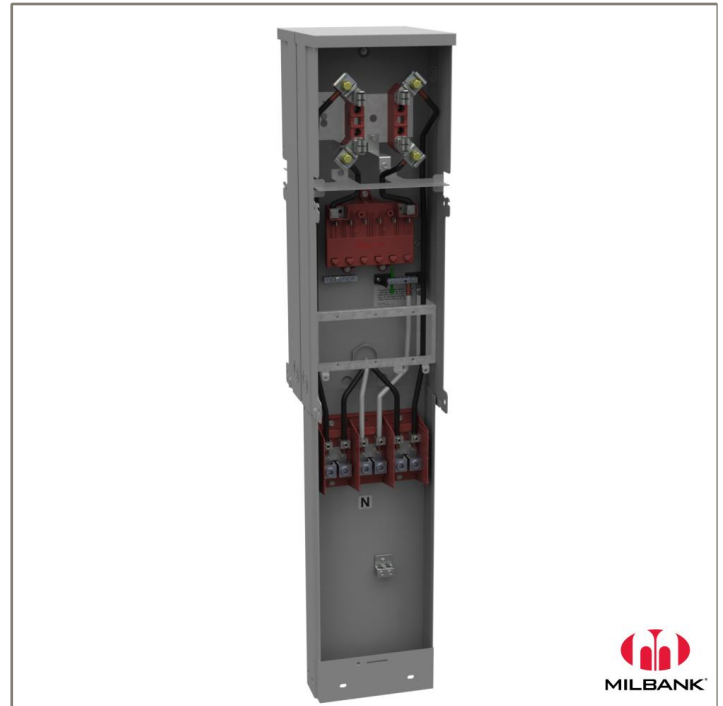




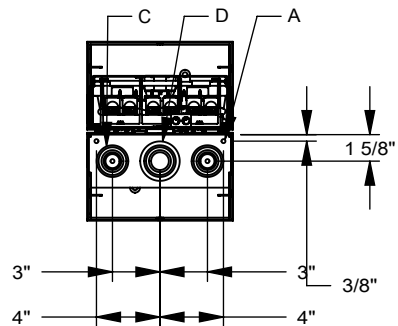
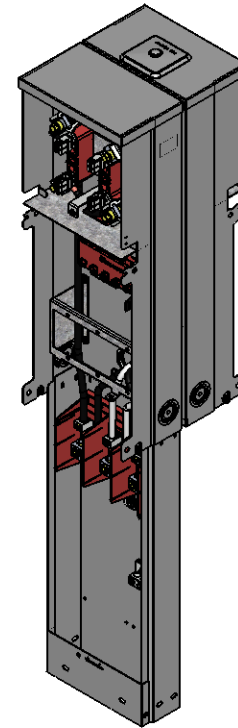
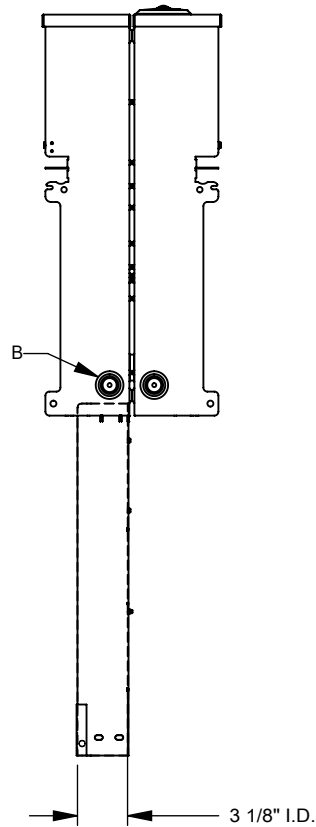
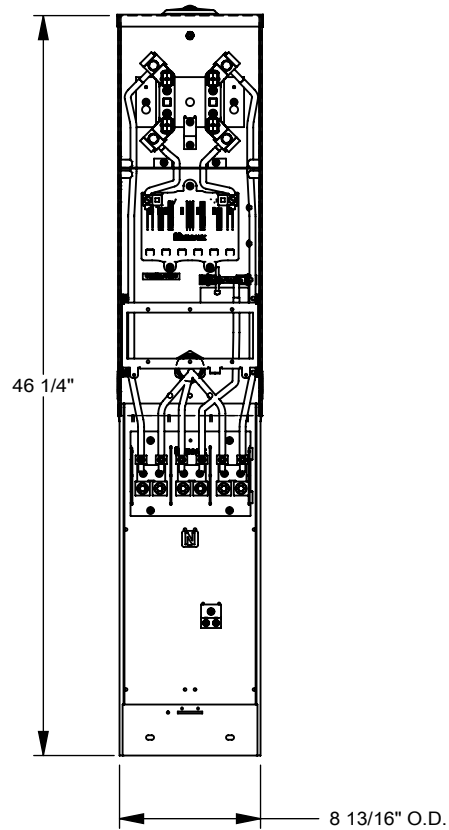
Catalog Number: U5330-O  
Item Description: 125A MTR DBL PDMT PED  
UPC Code: 784572259584

Brand Name: Milbank  
Type: Ring Type Metered Power Supply Unit  
Special Features: 4 Terminal, Plain Top, 2 Barrel Ground Lug and Ground Bar, No Bypass, Double Power Head, 6 Branch Circuits  
Application: RV Power  
Standard: UL Listed  
Voltage Rating: Up to 240 Volts Alternating Current  
Amperage Rating: 125 Ampere Continuous  
Wattage: Not Applicable  
Frequency Rating: 60 Hertz  
Phase: 1 Phase  
Number of Receptacles: 0  
Control: No Main Breaker  
Material: G90 Galvanized Steel with Powder Coat Finish  
Mounting: Pedestal Mount  
Cable Size: 6 AWG to 350 KCMIL  
Enclosure: Type 3R



*Utility requirements may vary. Always consult the serving utility for their requirements prior to ordering or installing this equipment. This product must always be installed by a licensed electrician. Installation of this equipment may require local electrical inspector approval.*

FEATURE TABLE		
ITEM	QTY	DESCRIPTION
A	2	¼ SOLID K.O.
B	4	½, ¾, 1, 1¼ CONC. K.O.
C	2	½, ¾, 1, 1¼, 1½ CONC. K.O.
D	1	¾, 1, 1¼, 1½, 2 CONC. K.O.



Version:

1

All dimensions are +/- 1/16".  
Drawing views are not to scale.

Utility requirements for this equipment may vary. Always consult the serving utility for their requirements prior to ordering or installing this equipment. This product must be installed by a licensed electrician. Installation of this equipment may require local electrical inspector approval.