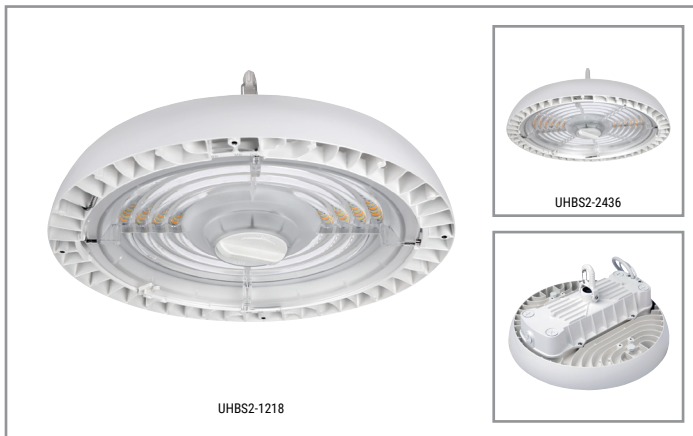


Project		Catalog #		Type	
Prepared by		Notes		Date	



# Metalux

## UHBS2 Selectable High Bay

LED Round High Bay with Selectable CCT and Lumen

### Typical Applications

Industrial • Commercial • Retail • Manufacturing • Warehouse • Gymnasium <sup>(1)</sup>  
• Multi-purpose • Grocery • High Bay / Low Bay Applications

**Note:** (1) Rigid Stem mount not recommended for use in gymnasiums.

### Interactive Menu

- Energy and Performance Data [page 2](#)
- Accessories [page 3](#)
- Photometric Data [page 4](#)
- Sensor Coverage [page 5](#)
- Product Warranty

### Product Certification



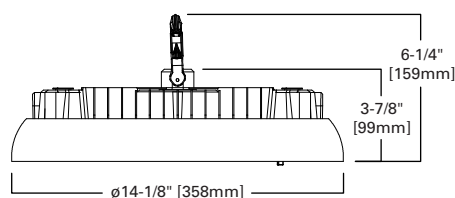
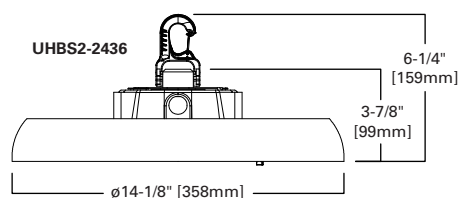
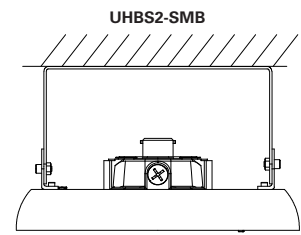
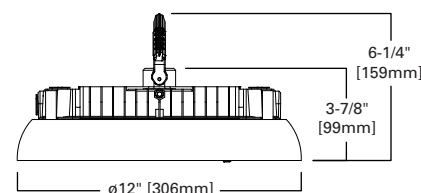
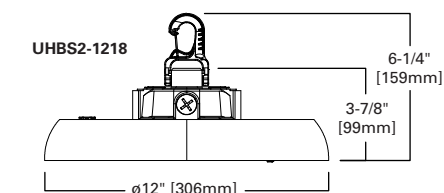
### Product Features



### Top Product Features

- Selectable Lumen/Power performance packages
- 5 Color Selectable CCT - 3000/3500/4000/5000/6500K
- Field selectable distribution - Narrow, Medium, or Wide
- Sensor ready port for quick plug and play install
- Compact, 12" and 14" round die cast aluminum housing
- 120-347 Volt operating range with 6kV surge protection
- NEMA 4X, IP65 and NSF rated
- IP65 rated lens and driver enclosure
- 10ft power and dimming cords for easy installation

### Dimensional and Mounting Details



## Energy and Performance Data

Default CCT / Lumen / Distribution Setting: 4000K / High Power / Wide

Catalog#	UPC	Voltage	Lumen Setting	Nominal CCT	Nominal Lumens			Wattage (120V)	Efficacy (lm/W)		
					Narrow	Medium	Wide		Narrow	Medium	Wide
UHBS2-1218-MV-L8C5-U	080083301836	120-347V	Low	3000K	11304	11445	12267	80.2	140.9	142.7	153.0
				3500K	11583	11728	12571	79.4	145.9	147.7	158.3
				4000K	11761	11908	12764	78.6	149.6	151.5	162.4
				5000K	11868	12016	12880	79	150.2	152.1	163.0
				6500K	11809	11956	12816	80.4	146.9	148.7	159.4
			Medium	3000K	13629	13799	14791	98.9	137.8	139.5	149.6
				3500K	13986	14160	15178	97.6	143.3	145.1	155.5
				4000K	14280	14459	15498	96.5	148.0	149.8	160.6
				5000K	14265	14443	15481	96.6	147.7	149.5	160.3
				6500K	14092	14268	15293	98.7	142.8	144.6	154.9
			High	3000K	16256	16459	17642	122	133.2	134.9	144.6
				3500K	16800	17009	18232	120.5	139.4	141.2	151.3
				4000K	17145	17359	18607	119.1	144.0	145.8	156.2
				5000K	17296	17511	18770	119.2	145.1	146.9	157.5
				6500K	17002	17214	18451	122.1	139.2	141.0	151.1
UHBS2-2436-MV-L8C5-U	080083301843	120-347V	Low	3000K	23839	24137	25872	156	152.8	154.7	165.8
				3500K	24695	25003	26801	154.4	159.9	161.9	173.6
				4000K	25223	25538	27374	152.8	165.1	167.1	179.1
				5000K	25575	25895	27756	153.7	166.4	168.5	180.6
				6500K	25324	25640	27483	154.2	164.2	166.3	178.2
			Medium	3000K	29445	29813	31956	194.6	151.3	153.2	164.2
				3500K	30244	30621	32823	192.4	157.2	159.2	170.6
				4000K	30998	31385	33641	190	163.1	165.2	177.1
				5000K	30989	31376	33632	191	162.2	164.3	176.1
				6500K	30334	30713	32921	195	155.6	157.5	168.8
			High	3000K	34846	35281	37818	239.4	145.6	147.4	158.0
				3500K	35898	36346	38959	235.5	152.4	154.3	165.4
				4000K	36613	37070	39735	232.1	157.7	159.7	171.2
				5000K	36861	37321	40005	233.5	157.9	159.8	171.3
				6500K	36207	36659	39295	239.1	151.4	153.3	164.3

### Lumen Maintenance

Ambient Temperature	TM-21 Lumen Maintenance (60,000 hours)	Theoretical L70 (hours)
25°C	> 91%	> 218,000

### Ambient Ratings

Lumen Package	Ambient Rating
UHBS2-1218	50C
UHBS2-2436	50C

### Energy Data

Input Watts:
UHBS2-1218 = 80/100/120W
UHBS2-2436 = 150/200/240W

### Shipping Data

Catalog No.	Wt.
UHBS2-1218	8 lbs.
UHBS2-2436	11.3 lbs.

### IK Rating

UHBS	IK Rating
Lens	IK08
Housing	IK08

Operating Temp.	-40 to 50C
-----------------	------------

## Product Specifications

### Construction

- Diecast aluminum housing and heatsink for durability
- Polycarbonate lens seals LED for IP65 rating
- Impact protection rating IK08 Lens and IK08 Housing

### Electrical

- Long-life LED system with electronic driver for optimal performance
- Selectable power switch for 3 levels of lumen output per model
- Selectable color switch provides 3000, 3500, 4000, 5000, and 6500K CCT at CRI >82
- Multi-volt 120 through 347V operation
- 0-10V dimming, 10% standard
- 10ft (86") long power and dimming cords provided for easier installation
- Integral 6kV surge protection level per ANSI C82.77-5-2015
- Operating temperature of -40°C to 50°C
- Default CCT/Lumen setting is 4000K and High Power

### Optics

- Field adjustable distribution provides Narrow, Medium, or Wide distribution
- Default distribution is set at Wide distribution
- Accessory Refractors are not rated for high impact applications

### Mounting

- EasyMount allows for either hook or pipe (stem) installations
- EasyMount hook can flip up for fast retrofit installs. Safety latch included
- Standard 3/4" NPS thread included for pendant/stem mount
- 3/4" threaded pipe, hook or ring provided by others
- Accessory Refractors are not rated for high impact applications

### Compliance

- cULus listed for wet location
- NEMA 4X, IP65 rated
- NSF/ANSI standard 2 - Light fixture for Splash Zone and Non-Food Zone rated luminaire models.
- IESNA LM-79 and LM-80 standards compliant
- Qualifies as State of California Title 24 non-residential high efficiency luminaire
- FCC part 15 class A compliant
- DesignLights Consortium® Qualified and classified for DLC Premium, refer to www.designlights.org for details.

### Sensor

- Plug and play low-voltage sensor accessory available
- Sensor installs directly to integral fixture port
- PIR motion sensor with 0-10V control
- Wet location and IP65 rated
- Up to 50ft mounting height
- Sensor remote control must be ordered separately

### Emergency Pack Option

- 120-347V universal input remote emergency driver accessory available
- Field installed EM driver wires directly to fixture
- 90-minute batteries provide constant power to the LED system
- Test switch/indicator button can be tested safely from the ground using remote control
- EM remote control included with accessory
- Accessory comes with grommets and mounting hardware, see EM driver spec sheet.

### Finish

- White polyester powder coat finish painted after fabrication

### Warranty

- Five year limited warranty

## Accessories List

Additional UHBS2 Refractor options coming soon.

Catalog Number	Description	Unit Carton UPC
UHBS-SMB	UHBS Surf Mnt Brkt for 12"/14" Model	080083273263
UHBS-WG13 (1)	UHBS Wire Guard	
EBP-RM40R (2)	40W Emergency Driver, Remote Mount 120-347V White w/ remote included	080083259496
UHBS-SENSOR PK (2)	PIR Sensor 360 Lens 60FT MH Kit	080083257898
UHBS SENSOR REMOTE	UHBS Sensor Remote Control	080083260249
UHBS-CLR13	UHBS Clear PC Reflector (5)	080083273300
UHBS-ALR13	UHBS Aluminum Reflector (5)	080083273324
UHBS-CDL13 (4)	UHBS Clear Lens Cover & Clamp (5)	080083273362
UHBS2-ADR13-U (5)	Adapter Ring for UHBS-CLR13 or UHBS-ALR13	080083273362

**Notes:** (1) Installs directly to fixture and cannot be used in conjunction with refractors. (2) To meet state and local codes, EBP cannot be used with UHBS with sensor or with UHBS sensor accessory. (3) Rigid mount not for use in gymnasiums. (4) Fits onto clear PC reflector only. Do not attached directly to fixture. (5) Must order Adapter ring to fit UHBS2-1218 model.



**SENSOR (2)**  
Plug in sensor



**EBP-RM40R (2)**  
Field installed Remote EM



**ALR**  
Aluminum Reflector



**CLR**  
Clear Reflector



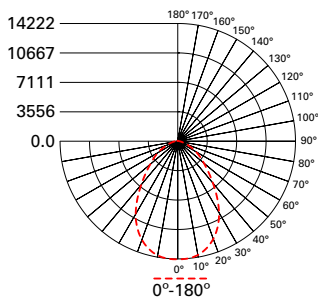
**CDL**  
Clear Lens Cover



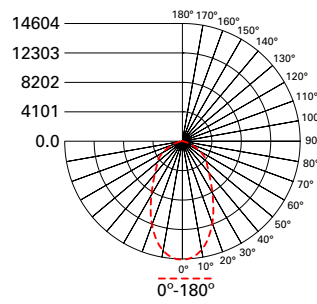
**WG**  
Wireguard

Photometric Data

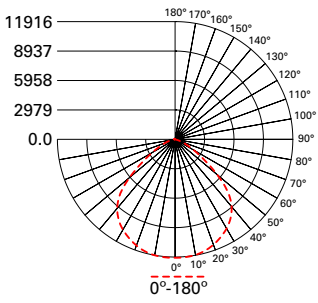
[View IES files](#)



**UHBS2-2436-M-L83065-LOW-4000K**  
 Electronic Driver  
 Round Select LED 4000K  
 Spacing criterion: (H) 1.08 x mounting height, (L) 1.08 x mounting height  
 Lumens: 25119  
 Input Watts: 152.8W  
 Efficacy: 164.4 LPW  
 Test Report: UHBS2-2436-M-L83065-LOW-4000K.IES

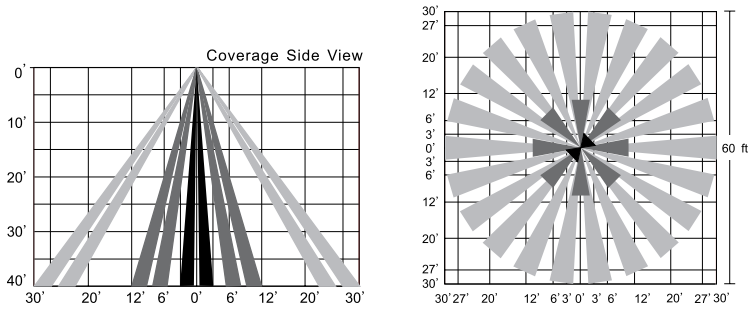


**UHBS2-2436-N-L83065-LOW-4000K**  
 Electronic Driver  
 Round Select LED 4000K  
 Spacing criterion: (H) 0.88 x mounting height, (L) 0.88 x mounting height  
 Lumens: 24809  
 Input Watts: 152.8W  
 Efficacy: 162.4 LPW  
 Test Report: UHBS2-2436-N-L83065-LOW-4000K.IES



**UHBS2-2436-W-L83065-LOW-4000K**  
 Electronic Driver  
 Round Select LED 4000K  
 Spacing criterion: (H) 1.3 x mounting height, (L) 1.3 x mounting height  
 Lumens: 26925  
 Input Watts: 152.8W  
 Efficacy: 176.2 LPW  
 Test Report: UHBS2-2436-W-L83065-LOW-4000K.IES

## Sensor Coverage UHBS-Sensor



### Sensor Specifications

Power supply	12V-24V DC, >30mA
Dim control output	0-10V, max. 25mA sinking current
Remote range	50ft. (15m) indoor, no backlight
Dim control output	0-10V
Detection radius	20% / 50% / 75% / 100% (1-8m)
Mounting height	Up to 50ft (15.25 m)
Time setting	10s / 1 min / 5 min / 10 min / 15 min / 20 min / 30 min / 60 min
Light-control	24H / 10 LUX / 30 LUX / 50 LUX
Sensor Operating Temp.	-40°F ~+ 158°F (-40°C ~+ 70°C)
IP rating	IP65

**Notes:** Warm up time 40 sec after sensor first receives input power. Fixture will stay on 40 seconds then work move to default mode.

Any setting changed by sensor remote control (order remote separately), will led lights on remote to turn on and off to confirm. See sensor instruction sheet on UHBS product page found on [www.cooperlighting.com](http://www.cooperlighting.com)

### Sensor Modes

	Brightness	Sensitivity	Hold Time	Daylight Sensor	Stand-by Dim	Stand-by Period
<b>MODE 1 (Default)</b>	100%	75%	5 min	Disabled	30%	30 min
<b>MODE 2</b>	100%	75%	1 min	Disabled	30%	∞
<b>MODE 3</b>	100%	75%	5 min	30LUX	30%	30 min
<b>MODE 4</b>	100%	75%	1 min	(30LUX/300LUX)	30%	∞