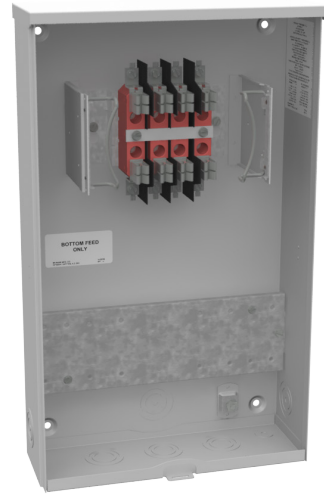




MILBANK
ENERGY AT WORK

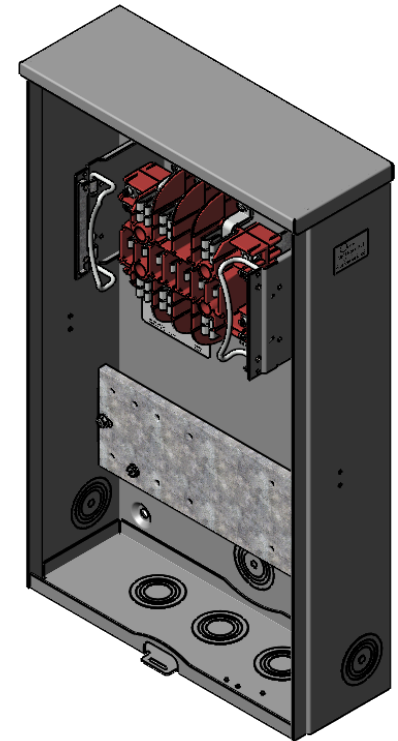
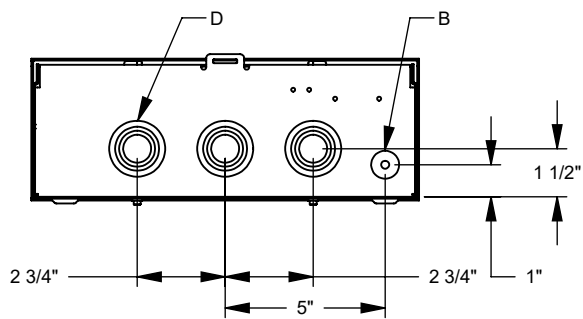
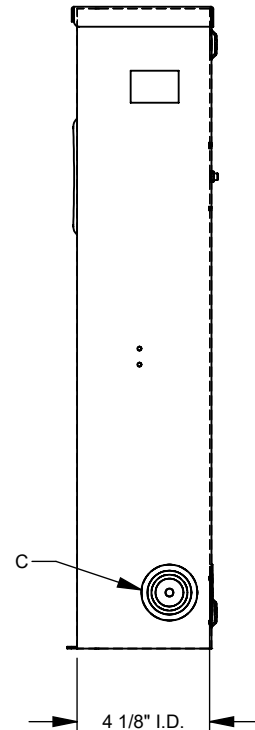
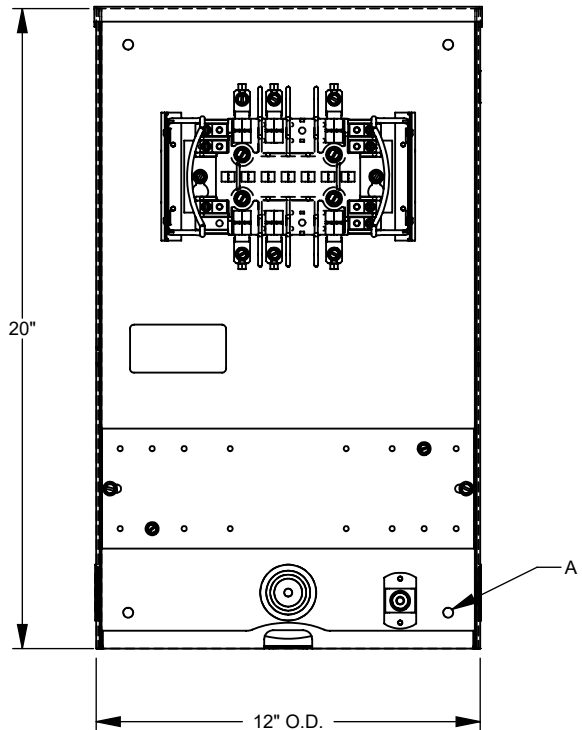
CE138-CECHA



Catalog Number	CE138-CECHA	Insulation	Glass Polyester
Marketing Product Description	8 Terminal Ringless Plain Top Test Switch Prewired Commonwealth Edison Chicago Housing Authority	Mounting	Surface Mount
UPC	784572112070	Enclosure	G90 Galvanized Steel with Powder Coat Finish
Length (IN)	4.12	Jaw Quantity	8 Terminal
Width (IN)	12	Bypass Type	No Bypass
Height (IN)	20	Number of Meter Positions	1 Position
Brand Name	Milbank	Equipment Ground	Ground Lug
Type	Ringless Meter Socket	Hub Opening	Plain Top
Special Features	Commonwealth Edison Chicago Housing Authority	Line Side Wire Range	12 - 10 AWG
Application	Meter Socket	Load Side Wire Range	12 - 10 AWG
Standard	Non UL Listed; Type 3R	Number Of Receptacles	0
Voltage Rating	600 Volts Alternating Current		
Amperage Rating	20 Continuous Ampere		
Phase	1 Phase		
Frequency Rating	60 Hertz		
Size	4.125L x 12W x 20H		
Number Of Cutouts	0		
Cutout Size	No Main Breaker		
Cable Entry	Underground		
Terminal	Single Mechanical		

Please consult serving utility for their requirements prior to ordering or installing, as specifications and approvals vary by utility and may require local electrical inspector approval. All installations must be installed by a licensed electrician and must comply with all national and local codes, laws and regulations. Milbank reserves the right to make changes in specifications and features shown without notice or obligation.

FEATURE TABLE		
ITEM	QTY	DESCRIPTION
A	4	STD. MNTG. EMBOSS
B	1	1/4, 1/2 CONC. K.O.
C	3	1/4, 1/2, 3/4, 1, 1 1/4 CONC. K.O.
D	3	1/2, 3/4, 1, 1 1/4 CONC. K.O.



Version:

1

**All dimensions are +/- 1/16".
Drawing views are not to scale.**

Please consult serving utility for their requirements prior to ordering or installing, as specifications and approvals vary by utility, and may require local electrical inspector approval. All installations must be installed by a licensed electrician and must comply with all national and local codes, laws and regulations. Milbank reserves the right to make changes in specifications and features shown without notice or obligation.