

Products

- > [Index](#)
- > [Featured Products](#)
- > [Cross Reference](#)
- > [UPC Search](#)

Product Datasheet

[Catalog Home](#)

[Home Page](#)

[Search](#)

752 -- 4" Square Box Cover, Blank



Product Specifications

Box Type	RACO Steel Boxes & Covers
Box Family	4" Square Boxes, Covers, Extension Rings
Box Category	4" Square Boxes - Flat Covers
Category	4" Square Box Cover
Raised (In.)	Flat, Blank
Cover Type	Flat, blank
UPC Number	050169907528
Product UPC-A Labeled	No
Minimum Pack Qty.	50
Inner Leaf 2 of 5 Bar Code	50050169907523
Unit Carton Quantity	50
Ship Carton Length (In.)	5.75
Ship Carton Width (In.)	5.75
Ship Carton Height (In.)	4.5
Weight (Per/C)	29.6
Pallet Quantity	5600

Applications

- Flat covers are used to close an outlet box or mount a device

Product Features

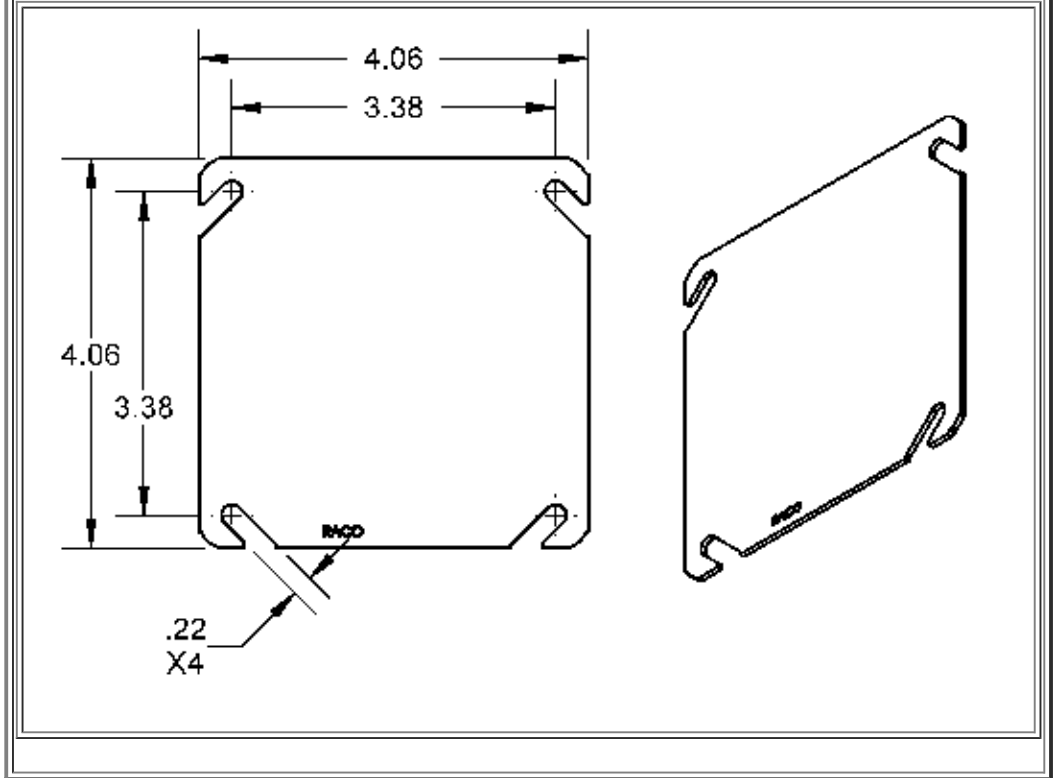
- Angled mounting slots allow for correction of box misalignment

Compliances

UL 514-A listed, File E195978 / CSA listed, File LR-1082

Country of Origin

MADE IN THE U.S.A.



[Login](#) | [Privacy](#) | [Site Map](#)