

Watertight Devices  
Accessories  
Portable Outlet Box Covers

# HUBBELL

## Features

- Impact and heat resistant PBT housing
- Corrosion-resistant stainless steel springs and hinges
- Gasketed to maintain UL Type 3R

## Ordering Information

| Description  | Device Color | UPC          | Catalog Number |
|--|--------------|--------------|----------------|
| Outlet box lift cover,<br>1.572" diameter<br>receptacle. | Gray         | 783585358895 | HBL3055        |

## Listings

Listed to UL514D  
UL Type 3R  
Meets NEMA WD-1, WD-6 and ANSI standards

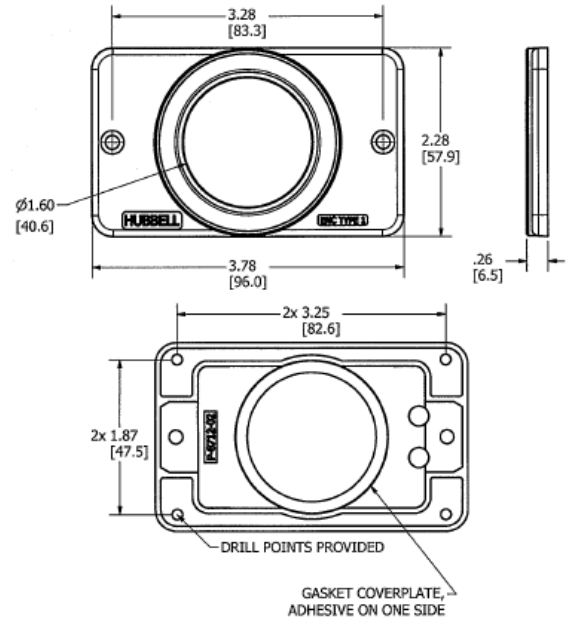
## Specifications

|                    |                 |
|--------------------|-----------------|
| Housing            | PBT             |
| Cover plate screws | Stainless steel |
| Cover plate spring | Stainless steel |
| Hinge Pin          | Stainless steel |
| Hinge bracket      | Stainless steel |
| Gasket             | Neoprene        |

## Performance

### Environmental

|                        |  |
|------------------------|--|
| Flammability           | UL94 V-0                                   |
| Moisture Resistance    | UL Type 3R                                 |
| Operating temperatures | -40°C (without impact) to +60°C continuous |
| UV Resistance          | All exposed materials are UV stabilized    |



## Online Resources

eCatalog

Dimensions in Inches (mm)

Hubbell Wiring Device-Kellems • Hubbell Incorporated (Delaware) • 40 Waterview Drive • Shelton, CT 06484

Phone (800) 288-6000 • Fax (800) 255-1031 • Specifications subject to change without notice.

