

Features

- All aluminum cover and base
- Base is pre-drilled for rear surface mounting
- Top, bottom or back wire entry points
- Switch can be locked in the OFF position as a method of compliance with OSHA lockout/tagout

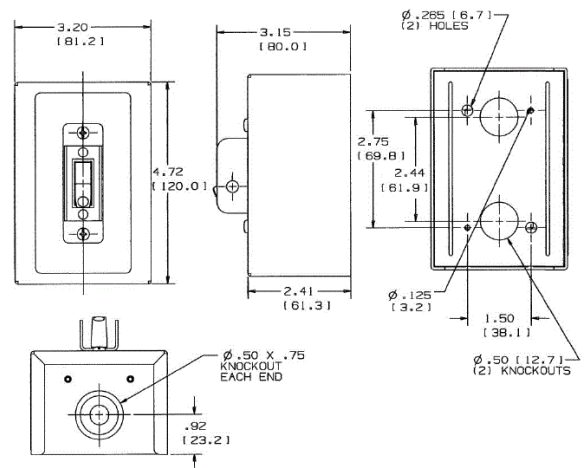


Ordering Information

Description	UPC Number	Catalog Number
For use with 30A switch, Aluminum	783585016986	HBL1370

Specifications

Cover Material	Aluminum
Base Material	Aluminum



Complementary Products

Controllers/Disconnects	HBL7832D; HBL7832DS; HBL7832DX; HBL7810D; HBL7810DS
-------------------------	---

Online Resources

- Customer Use Drawing
- eCatalog
- Installation Instructions