



## Main

Product or component type	Industrial Control Transformer
Power Rating	100 VA
Primary Voltage	220 x 440 V 230 x 460 V 240 x 480 V
Secondary Voltage	115 V 120 V 110 V
Type	TF

## Complementary

Number of Phases	1 phase
Power Rating	100 VA
Primary to Secondary Voltage	220 x 440 V 110 V 230 x 460 V 115 V 240 x 480 V 120 V
Fuse type	0.41 x 1.50 in CC top
Temperature rise	55 °C
Electrical connection	Screw clamp terminals
Height	4.25 in (107.95 mm)
Width	3.38 in (85.85 mm)
Maximum Depth	3.34 in (84.84 mm)
Material	Copper winding
Fingersafe Cover Compatibility	FSC1

## Environment

Product certifications	UL listed file E61239 CSA file LR37055 guide 184-N-90
Enclosure Type	Not rated (open device)
Insulation temperature	221 °F (105 °C)

## Ordering and shipping details

Category	16202 - 9070 TF (NOT T) 50-200VA
Discount Schedule	CP8
GTIN	00785901904786
Nbr. of units in pkg.	1
Package weight(Lbs)	4.6 lb(US) (2.09 kg)
Returnability	Yes
Country of origin	MX

## Packing Units

Package 1 Height	7.80 in (19.812 cm)
Package 1 width	7.80 in (19.812 cm)
Package 1 Length	8.80 in (22.352 cm)

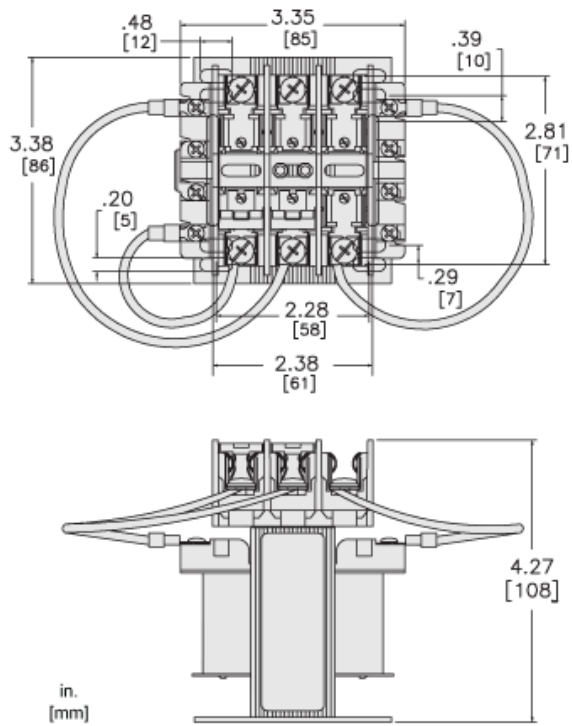
## Offer Sustainability

Sustainable offer status	Green Premium product
California proposition 65	WARNING: This product can expose you to chemicals including: Phenyl glycidyl ether, which is known to the State of California to cause cancer and birth defects or other reproductive harm. For more information go to <a href="http://www.P65Warnings.ca.gov">www.P65Warnings.ca.gov</a>
REACH Regulation	<a href="#">REACH Declaration</a>
EU RoHS Directive	Compliant <a href="#">EU RoHS Declaration</a>
Mercury free	Yes
RoHS exemption information	<a href="#">Yes</a>
China RoHS Regulation	<a href="#">China RoHS Declaration</a>
Environmental Disclosure	<a href="#">Product Environmental Profile</a>
PVC free	Yes

## Contractual warranty

Warranty	18 months
----------	-----------

Approximate Dimensions



---

Connections and Wiring Diagrams

---