



Main

Product	Single Throw Safety Switch
Current Rating	100 A
Number of Poles	3
Voltage Rating	250 V DC 240 V AC
Disconnect Type	Fusible disconnect
Short Circuit Current Rating	10 KA H or K 200 kA R, J or L
Mounting Type	Surface
Factory Installed Neutral	Neutral (factory installed)
Electrical Connection	Lugs
Duty Rating	Heavy duty
Certifications	UL listed file E2875
Enclosure Rating	NEMA 1 steel
Wire Size	AWG 12...AWG 1/0 aluminium AWG 14...AWG 1/0 copper

Complementary

Maximum Horse Power Rating	7.5 Hp 240 V AC 50...60 Hz 1 phase NEC 240.6 15 Hp 240 V AC 50...60 Hz 3 phase NEC 240.6 15 Hp 240 V AC 50...60 Hz 1 phase NEC 430.52 30 Hp 240 V AC 50...60 Hz 3 phase NEC 430.52 20 hp 250 V DC
Tightening torque	50 Lbf.In (5.65 N.m) AWG 1...AWG 3/0) 45 Lbf.In (5.08 N.m) AWG 6...AWG 4) 40 Lbf.In (4.52 N.m) 0.01 in ² (8.367 mm ²) AWG 8) 35 lbf.in (3.95 N.m) 0.00...0.01 in ² (2.06...5.261 mm ²) AWG 14...AWG 10)
Width	8.5 in (215.90 mm)
Height	21.25 in (539.75 mm)
Maximum Depth	6.38 in (162.05 mm)

Ordering and shipping details

Category	00008 - H&HU SW,2&3P,N1,30-200A
Discount Schedule	DE1
GTIN	00785901480464
Nbr. of units in pkg.	1
Package weight(Lbs)	17.9 lb(US) (8.12 kg)
Returnability	Yes
Country of origin	US

Packing Units

Unit Type of Package 1	PCE
Package 1 Height	7.20 in (18.288 cm)
Package 1 width	10.60 in (26.924 cm)
Package 1 Length	23.50 in (59.69 cm)

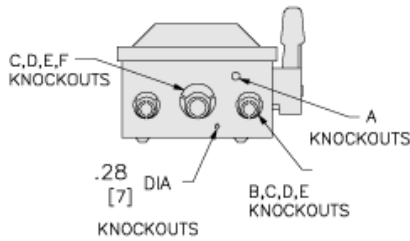
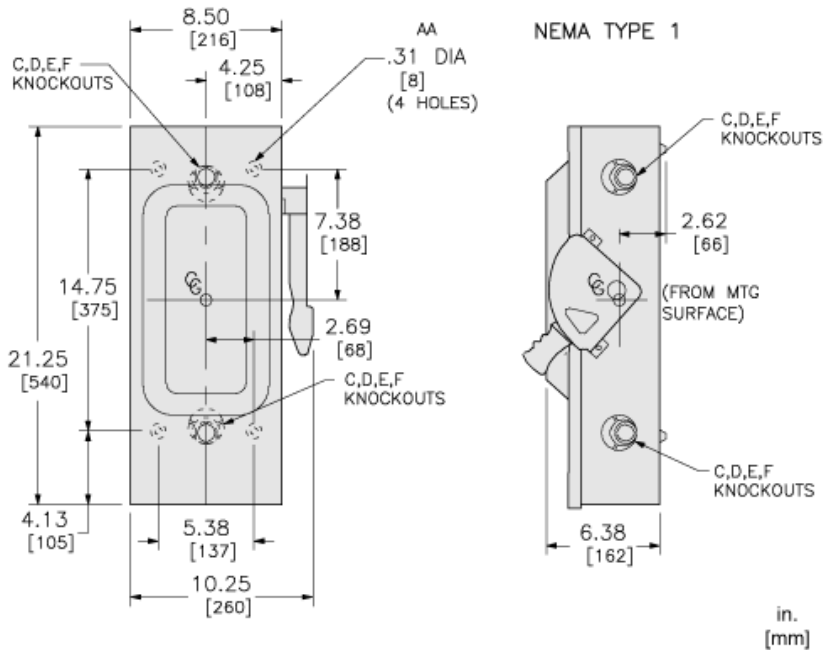
Offer Sustainability

Sustainable offer status	Green Premium product
California proposition 65	WARNING: This product can expose you to chemicals including: Lead and lead compounds, which is known to the State of California to cause cancer and birth defects or other reproductive harm. For more information go to www.P65Warnings.ca.gov
REACH Regulation	REACH Declaration
REACH free of SVHC	Yes
EU RoHS Directive	Compliant EU RoHS Declaration
Mercury free	Yes
RoHS exemption information	Yes
China RoHS Regulation	China RoHS Declaration
Environmental Disclosure	Product Environmental Profile
PVC free	Yes

Contractual warranty

Warranty	18 months
----------	-----------

Approximate Dimensions



KNOCKOUTS				
SYMBOL	CONDUIT SIZE		DIAMETER	
	IN	MM	IN	MM
A	.50	13	.88	22
B	.75	19	1.13	29
C	1.00	25	1.38	35
D	1.25	32	1.75	45
E	1.50	38	2.00	51
F	2.00	51	2.50	64

in.
[mm]