

Rigid and IMC Conduit Body, Type LB, Malleable Iron, Cover and Gasket, Size 1-1/2 Inch

Bridgeport Conduit bodies are listed for use with rigid metallic raceways and they allow access to conductors for pulling and splicing.

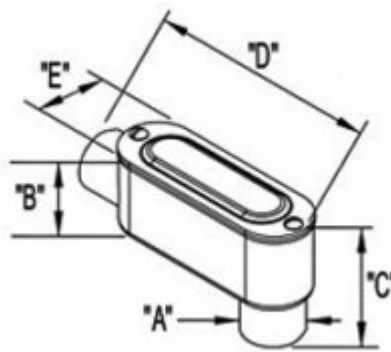
Suitable for use in Wet Locations.

Nema 4 rated.

Includes stamped steel cover and neoprene gasket.

35.3 cubic inch volume. Max conductor fill is 3 - #2AWG.

Constructed with NPT "tapered" hubs.



[Download Photo](#)

[Download Drawing](#)

Product details

Catalog Number:	LB-65CG
UPC Number:	78174706175
Primary Materials:	Malleable Iron Conduit Body, Zinc Coated Steel Cover, Neoprene Gasket
Finish:	Zinc electro-plate
Trade Size:	1-1/2"
Unit Quantity:	2
Standard Package Quantity:	10

Dimensions

Trade Size:
Dimensions A:
Dimensions B:
Dimensions C:
Dimensions D:
Dimensions E:

Certifications & Codes

Federal Specification Number: A-A-50563A

UL File Number: E11077

UNSPSC: 39131708

Nema Standard: FB-1

UL Standard: UL-514B