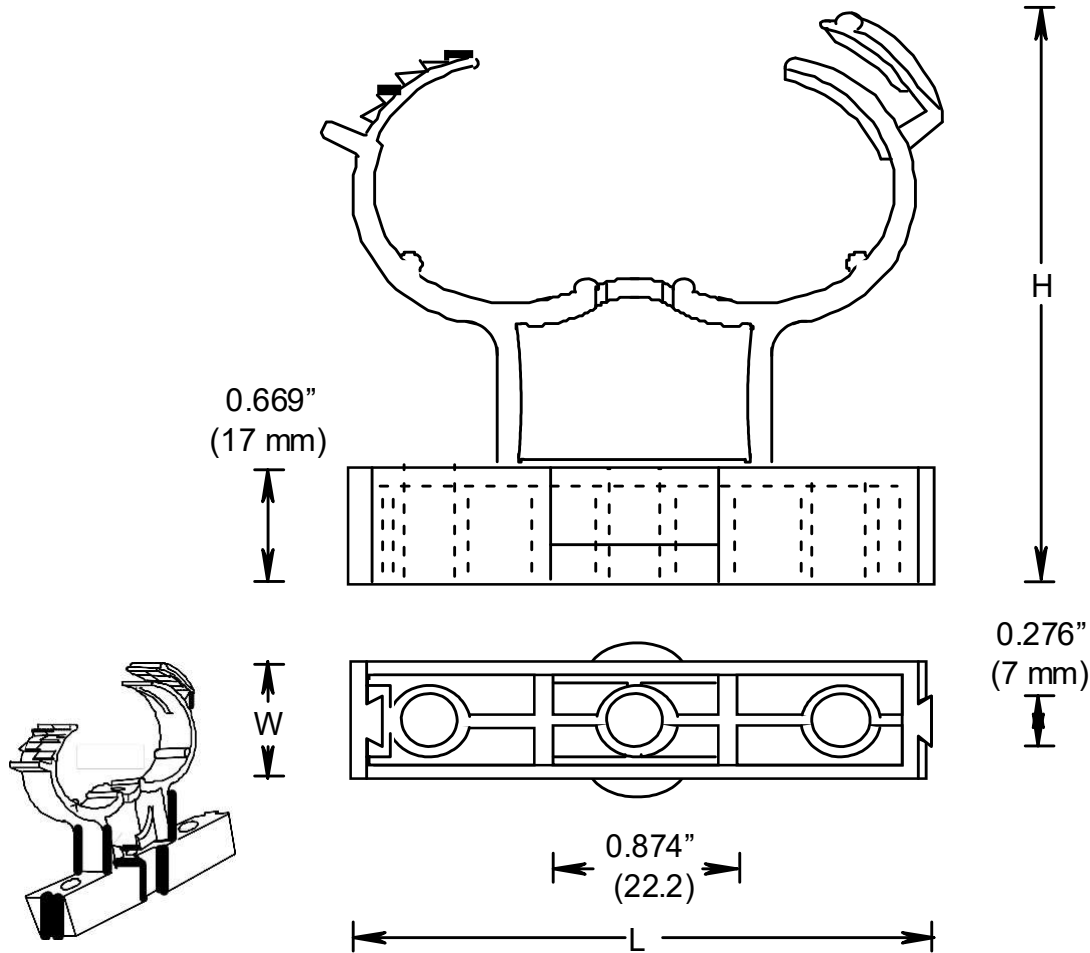


RIGID PVC CONDUIT FITTINGS

WALL CLAMPS

ISSUE DATE:
DATE D'EMISSION: 2007 06 30

SUPERCEDES:
REPLACE: 2006 07 30



PRODUCT CODE	PART NUMBER	NOMINAL SIZE		H		L		W	
		(in)	(mm)	(in)	(mm)	(in)	(mm)	(in)	(mm)
077794	CCS10	1/2	16	2.650	67.3	2.431	61.74	0.630	16
077796	CCS15	3/4	21	2.924	74.26	2.843	72.21	0.669	17
077797	CCS20	1	27	3.251	82.58	3.189	81.01	0.709	18
077798	CCS25	1 1/4	35	3.639	92.42	3.564	90.53	0.748	19
077799	CCS30	1 1/2	41	3.954	100.43	3.907	99.25	0.787	20
077800	CCS35	2	53	4.640	117.86	4.589	116.55	0.866	22
035180*	CCS10	1/2	16	2.650	67.3	2.431	61.74	0.630	16
035181*	CCS15	3/4	21	2.924	74.26	2.843	72.21	0.669	17
035182*	CCS20	1	27	3.251	82.58	3.189	81.01	0.709	18
035183*	CCS25	1 1/4	35	3.639	92.42	3.564	90.53	0.748	19
035184*	CCS30	1 1/2	41	3.954	100.43	3.907	99.25	0.787	20
035185*	CCS35	2	53	4.640	117.86	4.589	116.55	0.866	22

* Industrial Pipe Clamps