



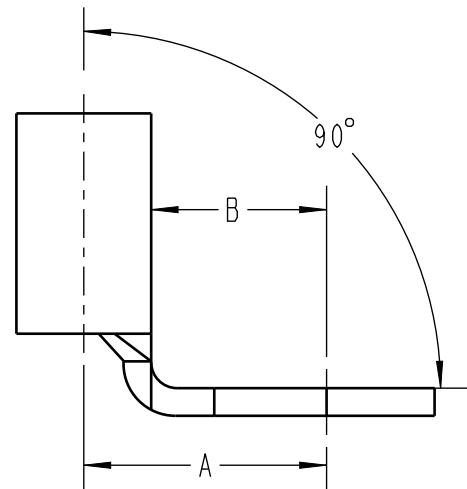
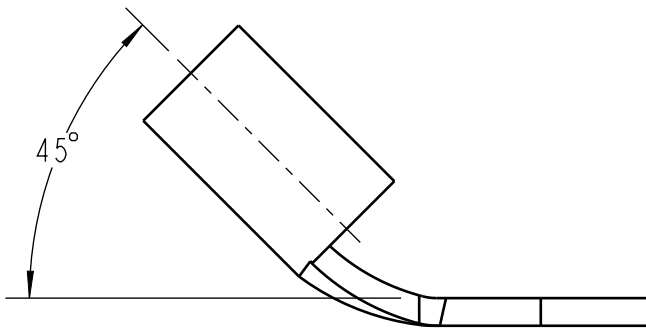
T&B Sta-Kon®



CATALOG No.	DIM. A ±.031	DIM. B ±.031	WIRE RANGE	BOLT HOLE
A87U	.320	.255	22-16	#10
A87UF	-----	-----	22-16	#10
B71U	.420	.340	18-14	1/4
B71UF	-----	-----	18-14	1/4
B73U	.398	.203	18-14	3/8
B133U	.312	.234	18-14	#6
B87U	.312	.234	18-14	#10
B86U	.312	.234	18-14	#8
* BC85U	.343	.234	16-14	#6
* BC85UF	-----	-----	16-14	#6

ALL DIMENSIONS ARE APPROXIMATE.

* = HEAVY DUTY TERMINAL.



NOTES:

1. MATERIAL: ELECTROLYTIC COPPER
2. FINISH: TIN PLATED
3. SAME AS STANDARD T&B CATALOG NUMBER BUT WITH A "U" SUFFIX FOR 90° BEND AND "UF" FOR 45° BEND.
4. INSTALLATION TOOLS: WT111M, WT112M, WT2000, ERG-2002, ERG-2005

GENERAL NOTES

1. ALL DIMENSIONS ARE FOR REFERENCE ONLY.
2. DIMENSIONS IN BRACKETS [] ARE IN METRIC UNITS.

www.tnb.com

Thomas & Betts
A Member of the ABB Group

REVISIONS

G	SEE ERN () FOR APPROVAL SIGNATURES & RELEASE DATE. PROJECT NO:
---	---

DESCRIPTION:

**NON-INSULATED RING
TERMINAL, 90° & 45° BEND**

ORIGINAL PROJECT NO / ECN NO

029D001493 / (ECN000083433)

SHEET NO:

1 OF 1

REV. NO:

G

DRAWING NO:

WSD-000091