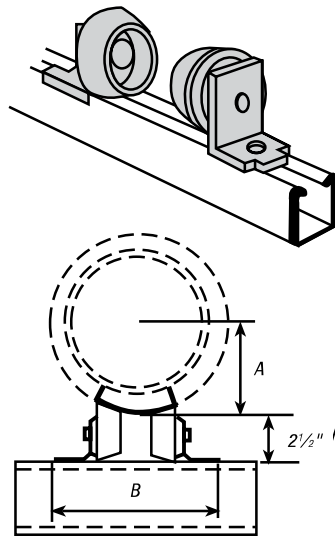


## Pipe Straps, Conduit Clamps and Hangers

### C-728 — Pipe Roller (Pair)

- Cast aluminum rollers, steel brackets
- Designed for standard saddles
- Order separately for each pair of rollers: Two ½" x ⅝" hex head cap screws, two ½" channel nuts
- Space to fit O.D. of pipe and wrapping
- Adjustable for radius up to 8"



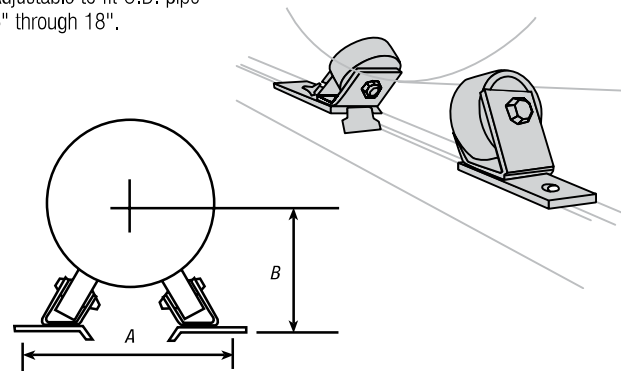
| CAT. NO. | A<br>MAX OS<br>RADIUS (IN.) | B<br>(IN.) | DESIGN<br>LOAD<br>(LBS.) | STD.<br>CTN.       |
|----------|-----------------------------|------------|--------------------------|--------------------|
| C728     | 3¾                          | 6¾         | 2,350                    | 5 pair (10 pieces) |
|          | 4¾                          | 7½         | 2,350                    | 5 pair (10 pieces) |
|          | 6¾                          | 8½         | 2,350                    | 5 pair (10 pieces) |
|          | 8½                          | 9⅞         | 2,350                    | 5 pair (10 pieces) |

### C728H — Pipe Roller Assembly (Pair)

Cast aluminum roller, steel brackets. Order separately for each pair of rollers:

- Two ½" x ⅝" hex head cap screws
- Two ½" channel nuts

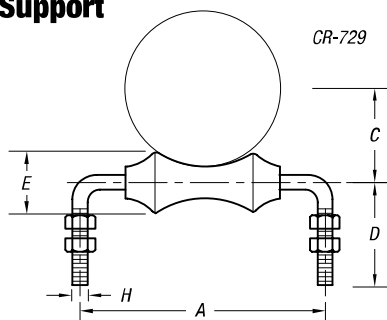
Adjustable to fit O.D. pipe 6" through 18".



| CAT. NO. | PIPE SIZE<br>(IN.) | A<br>(IN.) | B<br>(IN.) | DESIGN<br>LOAD (LBS.) | STD.<br>CTN.       |
|----------|--------------------|------------|------------|-----------------------|--------------------|
| C728H    | 6                  | 10⅜        | 6⅞         | 3,920                 | 5 pair (10 pieces) |
|          | 8                  | 11⅜        | 7¾         | 3,920                 | 5 pair (10 pieces) |
|          | 10                 | 12⅜        | 8⅞         | 3,920                 | 5 pair (10 pieces) |
|          | 12                 | 13⅜        | 9⅞         | 3,920                 | 5 pair (10 pieces) |
|          | 14                 | 14½        | 9¾         | 3,920                 | 5 pair (10 pieces) |
|          | 16                 | 15½        | 10¾        | 3,920                 | 5 pair (10 pieces) |
|          | 18                 | 16½        | 11⅞        | 3,920                 | 5 pair (10 pieces) |

### CR-729 — Roller Support

Used on steam or hot water systems where pipe is to be supported in tunnels, trenches, structural brackets and frames. Adjustment is made by raising and lowering the top nut on the legs and locked into position by tightening the lower nut.



| CR-729<br>PIPE SIZE<br>OF ROLL | C-789<br>1" COV.<br>25 | C-789A<br>1½" COV.<br>38 | C-789B<br>2" COV.<br>51 | C-789C<br>2½" COV.<br>64 | C-789D<br>3" COV.<br>76 | C-789E<br>4" COV.<br>100 |
|--------------------------------|------------------------|--------------------------|-------------------------|--------------------------|-------------------------|--------------------------|
| 4                              | 2½-3                   | 2-2½                     | —                       | —                        | —                       | —                        |
| 5                              | 3½                     | —                        | —                       | —                        | —                       | —                        |
| 6                              | 4-5                    | 3-3½                     | 2-2½                    | —                        | —                       | —                        |
| 7                              | 6                      | 4-5                      | 3-4                     | 2-2½                     | 2-2½                    | —                        |
| 8                              | 8                      | 6                        | 5                       | 3-3½                     | 3-3½                    | —                        |
| 10                             | —                      | 8                        | 6                       | 4-5                      | 4-5                     | —                        |
| 12                             | 10                     | 10                       | 8                       | 6                        | 6-8                     | 4-6                      |
| 14                             | 12                     | 12                       | 10                      | 8                        | —                       | —                        |
| 16                             | 14                     | 14                       | 12-14                   | 10                       | 8                       | 8                        |

### Specifications

- Material: Steel Axle, Cast Iron Roll
- Finish: Standard Finish — GoldGalv®, Black (add suffix "-B"), Electro-Galvanized (add suffix "-EG")

| CAT. NO.     | PIPE SIZE<br>(IN.) | MAX. LOAD<br>(LBS.) | DIMENSIONS (IN.) |    |    |    |   | WT. EACH<br>(LBS.) |
|--------------|--------------------|---------------------|------------------|----|----|----|---|--------------------|
|              |                    |                     | A                | C  | D  | E  | H |                    |
| CR-729-2     | 2                  | 300                 | 4½               | 1¾ | 3¼ | 1⅞ | ¾ | .79                |
| CR-729-2-1/2 | 2½                 | 600                 | 5                | 1⅞ | 4½ | 1¾ | ½ | 1.44               |
| CR-729-3     | 3                  | 600                 | 5⅞               | 2¼ | 4½ | 1⅞ | ½ | 1.62               |
| CR-729-3-1/2 | 3½                 | 600                 | 7                | 2¾ | 4½ | 1¾ | ½ | 1.64               |
| CR-729-4     | 4                  | 700                 | 7                | 2⅞ | 4½ | 1⅞ | ½ | 1.82               |
| CR-729-5     | 5                  | 700                 | 8½               | 3⅞ | 4½ | 2  | ⅝ | 2.90               |
| CR-729-6     | 6                  | 1,000               | 10               | 4⅞ | 4½ | 2¾ | ¾ | 4.66               |
| CR-729-8     | 8                  | 1,300               | 12               | 5⅞ | 5¼ | 2¾ | ¾ | 7.29               |
| CR-729-10    | 10                 | 1,700               | 14               | 6¼ | 5½ | 3¾ | ¾ | 10.23              |
| CR-729-12    | 12                 | 2,300               | 16               | 7⅞ | 6  | 3⅞ | ¾ | 12.27              |
| CR-729-14    | 14                 | 3,075               | 17               | 8¾ | 7  | 4¾ | 1 | 21.39              |
| CR-729-16    | 16                 | 3,075               | 19               | 9⅞ | 8  | 5⅞ | 1 | 27.76              |