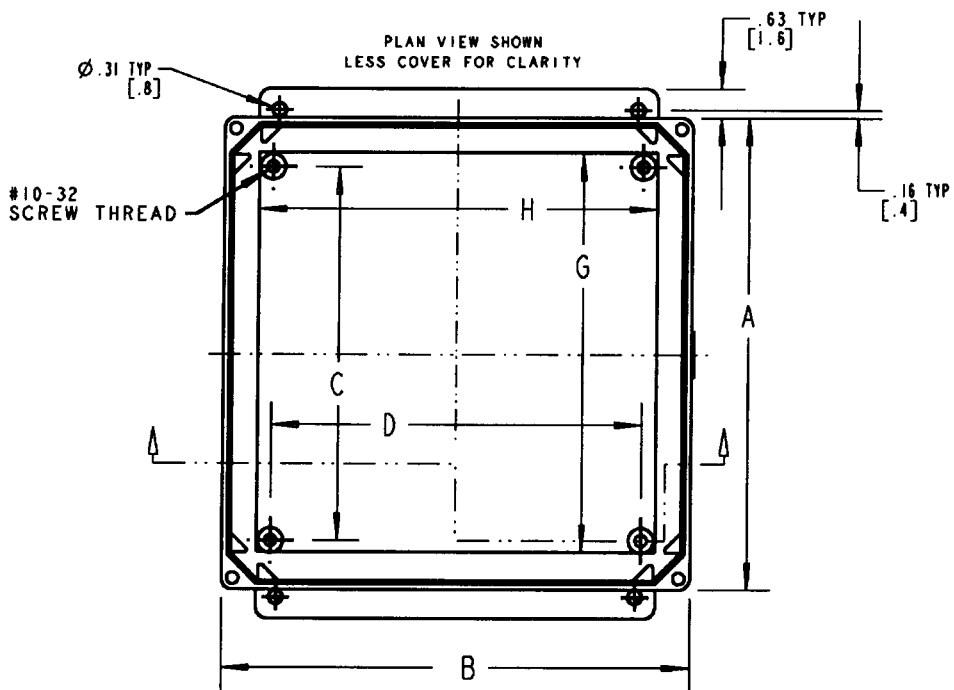
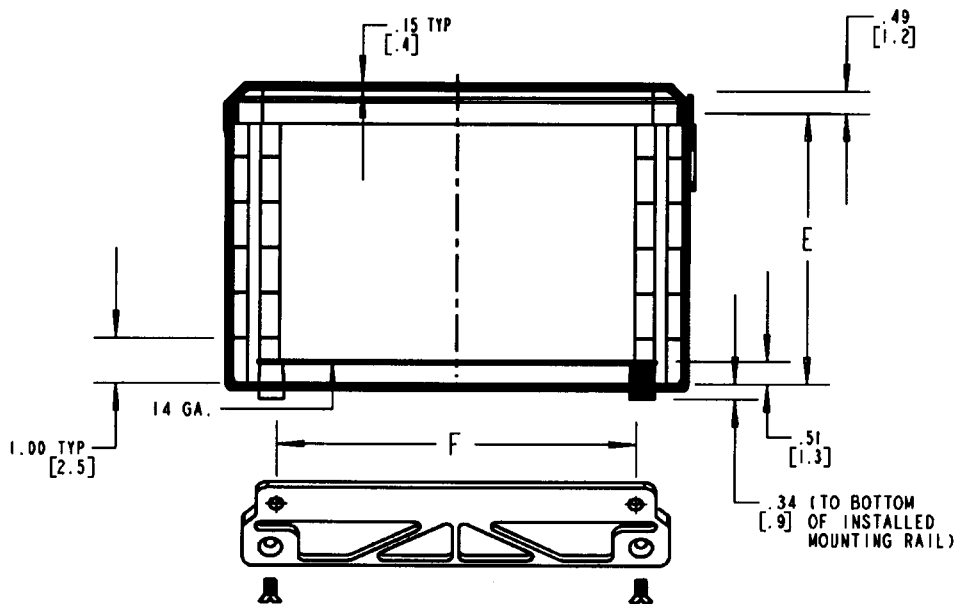


# Carlton



NOTE:  
SEE SHT. 2 FOR  
DIMENSIONS.



### LEGEND EXAMPLE

N V 644  
ENCLOSURE SIZE  
COVER TYPE  
V=CLEAR COVER  
S=OPAQUE COVER  
NEMA TYPE 1-3-3S-12-4/4X

### GENERAL NOTES

- ALL DIMENSIONS ARE FOR REFERENCE ONLY.
- DIMENSIONS IN BRACKETS [ ] ARE IN METRIC UNITS.

### REVISIONS

\*\* SEE ERN ( \*\*\*\* ) FOR APPROVAL SIGNATURES & RELEASE DATE.  
PROJECT NO: \*\*\*\*

PROJECT # ERN #  
5AM91009 (2010997)

**Thomas & Betts**  
www.tnb.com

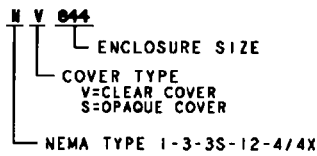
DESCRIPTION: **SCREW COVER ENCLOSURES (NS/NV SERIES)**

ORIGINAL PROJECT NO / ( ERN NO )	SHEET NO:	REV. NO:	DRAWING NO:
/ ( )	1 OF 2	D	WSD-AC02090

# Carlton

SIZE	BACK PANEL	
	G	H
JP64	4.88 (124.9)	2.88 (73.2)
JP80	4.88 (124.9)	4.88 (124.9)
JP88	6.75 (171.5)	4.88 (124.9)
JP88	6.75 (171.5)	6.88 (174.8)
JP108	6.75 (171.5)	6.88 (174.8)
JP108	8.75 (222.3)	6.88 (174.8)
JP120	8.75 (222.3)	8.88 (225.6)
JP120	10.75 (273.1)	8.88 (225.6)
JP122	10.75 (273.1)	10.88 (276.4)
JP142	12.75 (323.9)	10.88 (276.4)
JP144	14.75 (374.6)	12.88 (327.2)

### LEGEND EXAMPLE



SIZE	A	B	C	D	E	F
-- 644	6.42 (163.1)	4.41 (112.0)	4.29 (109.0)	2.28 (57.9)	4.00 (101.6)	2.00 (50.8)
-- 664	6.42 (163.1)	6.42 (163.1)	4.28 (108.7)	4.28 (108.7)	4.00 (101.6)	4.00 (101.6)
-- 864	8.42 (213.9)	6.42 (163.1)	6.27 (159.2)	4.26 (108.2)	4.00 (101.6)	4.00 (101.6)
-- 884	8.42 (213.9)	8.42 (213.9)	6.30 (160.0)	6.30 (160.0)	4.00 (101.6)	6.00 (152.4)
-- 1084	10.42 (264.7)	8.42 (213.9)	8.34 (211.8)	6.30 (160.0)	4.00 (101.6)	6.00 (152.4)

SIZE	A	B	C	D	E	F
-- 1086	10.42 (264.7)	8.42 (213.9)	8.34 (211.8)	6.30 (160.0)	6.00 (152.4)	6.00 (152.4)
-- 10106	10.42 (264.7)	10.42 (264.7)	8.29 (210.6)	8.29 (210.6)	6.00 (152.4)	8.00 (203.2)
-- 12106	12.42 (315.5)	10.42 (264.7)	10.30 (261.6)	8.28 (210.3)	6.00 (152.4)	8.00 (203.2)
-- 12126	12.42 (315.5)	12.42 (315.5)	10.24 (260.1)	10.24 (260.1)	6.00 (152.4)	10.00 (254.0)
-- 14126	14.42 (366.3)	12.42 (315.5)	12.26 (311.4)	10.24 (260.1)	6.00 (152.4)	10.00 (254.0)
-- 16146	16.42 (417.1)	14.42 (366.3)	14.26 (362.2)	12.26 (311.4)	6.00 (152.4)	12.00 (304.8)

**Thomas & Betts**

www.tnb.com

DESCRIPTION: **SCREW COVER ENCLOSURES (NS/NV SERIES)**

SHEET NO:

2 OF 2

REV. NO:

D

DRAWING NO:

WSD-AC02090