



### Main

Bezel material	Chromium plated metal
Enclosure type	Dust and oil resistant weatherproof enclosure indoor/outdoor
Range of product	K

### Complementary

Accessory / separate part destination	Non illuminated push-button
Cap/operator or lens colour	black
Contacts type and composition	Without contact block
Operator position information	2 positions
Operator profile	Standard knob
Operator profile	1 projecting push-button
Size	30 mm
Type of operator	Maintained

### Environment

NEMA degree of protection	NEMA 1/2/3/3R/4/6/12/13
Product certifications	UL listed file E42259 CCN NKCR CSA LR 25490 class 3211 03 CE

### Ordering and shipping details

Category	21426 - 9001 K (NOT KA,KM,KX)
Discount Schedule	CS1
GTIN	00785901055662
Nbr. of units in pkg.	1
Package weight(Lbs)	4.32 oz (122.47 g)
Returnability	Yes
Country of origin	MX

### Packing Units

Unit Type of Package 1	PCE
Package 1 Height	2.80 in (7.112 cm)
Package 1 width	2.30 in (5.842 cm)
Package 1 Length	2.10 in (5.334 cm)

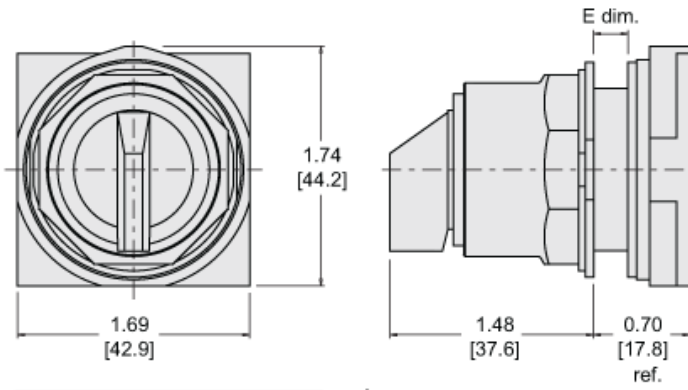
## Offer Sustainability

Sustainable offer status	Green Premium product
California proposition 65	WARNING: This product can expose you to chemicals including: Nickel compounds, which is known to the State of California to cause cancer, and Di-isodecyl phthalate (DIDP), which is known to the State of California to cause birth defects or other reproductive harm. For more information go to <a href="http://www.P65Warnings.ca.gov">www.P65Warnings.ca.gov</a>
REACH Regulation	<a href="#">REACH Declaration</a>
EU RoHS Directive	Pro-active compliance (Product out of EU RoHS legal scope) <a href="#">EU RoHS Declaration</a>
Mercury free	Yes
RoHS exemption information	<a href="#">Yes</a>
China RoHS Regulation	<a href="#">China RoHS Declaration</a>
Environmental Disclosure	<a href="#">Product Environmental Profile</a>
WEEE	The product must be disposed on European Union markets following specific waste collection and never end up in rubbish bins.

## Contractual warranty

Warranty	18 months
----------	-----------

Approximate Dimensions



Panel Thickness E dim. in. [mm]	Number of Gasket
1/16 [1.6]	4
1/8 (3.2)	3
3/16 (4.8)	2
1/4 (6.4)	1

in.  
[mm]