

ROMEX® BRAND SMARTBOX™ SHARK TOOTH™ FIXTURE BOX

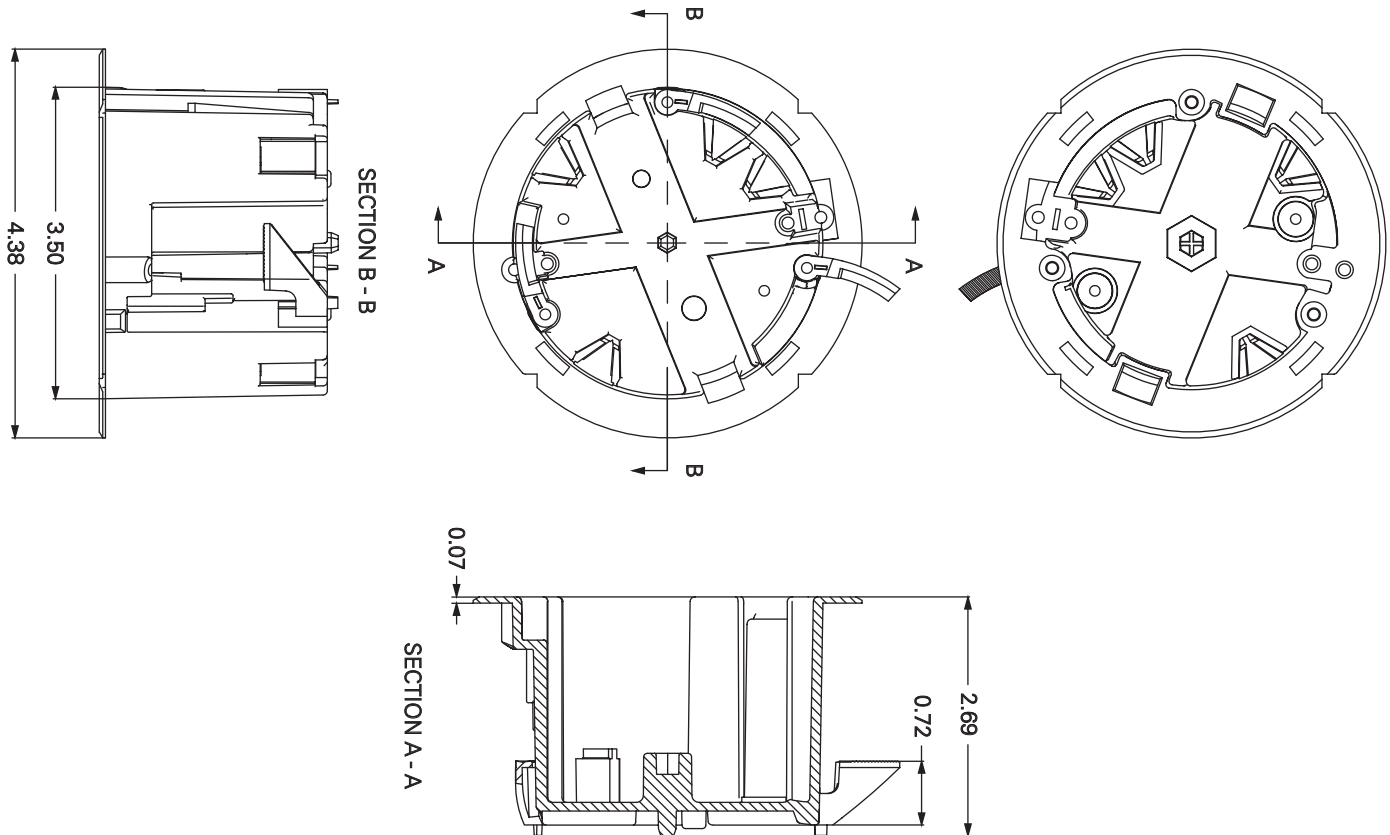


FEATURES:

- The built-in hole saw creates the perfect sized hole every time.
- A piercing drill bit located at the center of the blade allows for location accuracy during installation.
- Raised mounting rings with center hole are located inside the back wall of the box for surface mount installations, basement or attic studs.
- Supports fixtures up to 6 lbs.
- Not for use on lath and plaster walls.

TYPE OF INSTALLATION: Old Work

CERTIFICATIONS: UL Listed E205857,
RoHS Compliant



MODEL#	MATERIAL	UPC	I20F5	MASTER QTY	TRADE SIZE	VOLUME	
MSBST250	Polycarbonate	784297023101	50784297023106	8	3.0 - 4.0	26.50 cu. in.	
ITEM HEIGHT	ITEM WIDTH	ITEM DEPTH	ITEM WEIGHT	MASTER HEIGHT	MASTER WIDTH	MASTER DEPTH	MASTER WEIGHT
4.38 in.	4.38 in.	2.69 in.	0.30 lbs.	4.63 in.	9.88 in.	15.38 in.	2.40 lbs.

**BUILT FOR DURABILITY.
BUILT FOR RELIABILITY.
BUILT FOR WORK.™**

1-855-798-6657 | SOUTHWIRE.COM

©2021 Southwire Company, LLC. All rights reserved.
®/TM - ®Registered Trademark and ™Trademark of Southwire Company, LLC