



Project:	Type:
Prepared By:	Date:

Driver Info		LED Info	
Type	Constant Current	Watts	15W
120V	0.125A	Color Temp	4000K (Neutral)
208V	0.08A	Color Accuracy	90 CRI
240V	0.07A	L70 Lifespan	50,000 Hours
277V	0.06A	Lumens	1,230
Input Watts	15W	Efficacy	60

Technical Specifications			
Compliance		Power Factor:	
UL Listed & UL Classified:		≥0.9	
Suitable for wet locations		Input Voltage:	
ENERGY STAR V2.2:		120V through 277V	
This product is ENERGY STAR® Version 2.2 Certified.		Operating Frequency (Hz):	
Energy Star Model Number:		60Hz	
DLS0042		Performance	
California Title 24:		Lifespan:	
Can be used to conform with the requirements of California Title 24 Part 6.		50,000-Hour LED lifespan based on IES LM-80 results and TM-21 calculations	
Electrical		Construction	
Dimming Driver:		IC Rated:	
Driver includes dimming control wiring for 0-10V dimming systems. Requires separate 0-10V DC dimming circuit. Dims down to 10%.		Suitable for direct contact with insulation	
		Air Tight:	
		Housing certified Air Tight as per ASTM E283	
		Housing:	
		Constructed from durable aluminum that provides thermal cooling. Housing frame built from non-electrically conductive polycarbonate.	
		Cold Weather Starting:	
		The minimum starting temperature is -30°C (-22°F)	
		Maximum Ambient Temperature:	
		Suitable for use in up to 40°C (104°F)	

Technical Specifications (continued)

Construction

Lens:

Diffuse Polystyrene lens produces smooth uniform light that is glare free

Green Technology:

Mercury and UV free. RoHS-compliant components.

Mounting:

Torsion springs allow for secure installation. Retrofit mounting hardware sold separately. [SM7UNV/ACCC](#) - 7" 120-277V Surface Mount Retrofit Hardware.

Finish:

Matte White

Optical

Beam Angle:

120°

LED Characteristics

LEDs:

Long-life, high-efficacy, surface-mount LEDs

Wattage Equivalency:

75W Incandescent

R9 Value:

High color performance with R9 greater than or equal to 50

Flicker:

Silent and flicker free operations of less than 30%

Other

Warranty:

RAB warrants that our LED products will be free from defects in materials and workmanship for a period of five (5) years from the date of delivery to the end user, including coverage of light output, color stability, driver performance and fixture finish. RAB's warranty is subject to all terms and conditions found at rablighting.com/warranty.

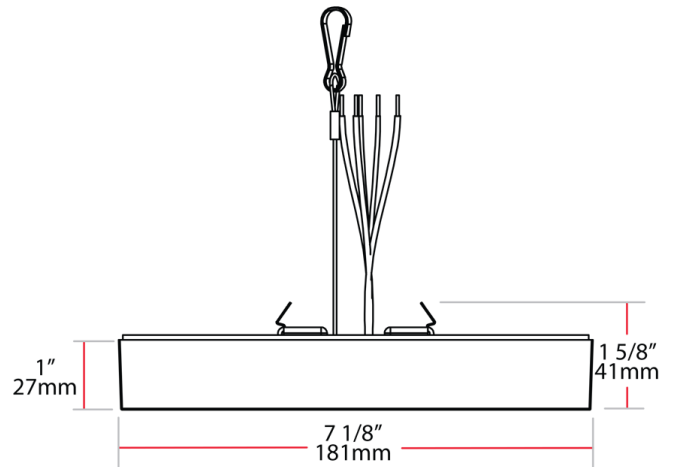
Buy American Act Compliance:

RAB values USA manufacturing! Upon request, RAB may be able to manufacture this product to be compliant with the Buy American Act (BAA). Please contact customer service to request a quote for the product to be made BAA compliant.

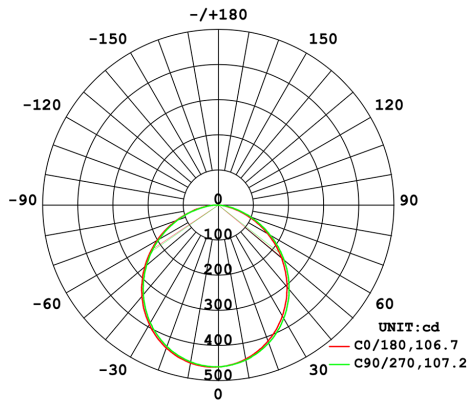
Case and Pallet Dimensions

	QTY	LENGTH (in)	WIDTH (in)	HEIGHT (in)
CASE	6	15.28	8.15	8.7
PALLET	450	7.28	2.44	43.5

Dimension



Light Distribution



Ordering Matrix

Family	Size	Shape	Wattage	CRI/Color Temp	Voltage	Dimming	Finish
SM	7	S	15	940	UNV		W
	5.5 = 5.5" 7 = 7" 9 = 9"	R = Round S = Square	10 = 750lm-850lm 15 = 900lm-1100lm 20 = 1200lm-1700lm	940 = 90 CRI, 4000K (Neutral) 930 = 90 CRI, 3000K (Warm) 927 = 90 CRI, 2700K (Residential Warm) 840 = 80 CRI, 4000K (Neutral) 830 = 80 CRI, 3000K (Warm) 827 = 80 CRI, 2700K (Residential Warm)	120 = 120V UNV = 120-277V	Blank = Blank ¹ T = TRIAC Dimming	W = White