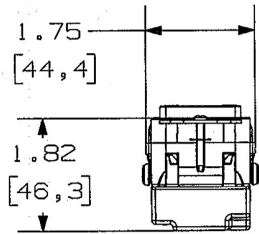
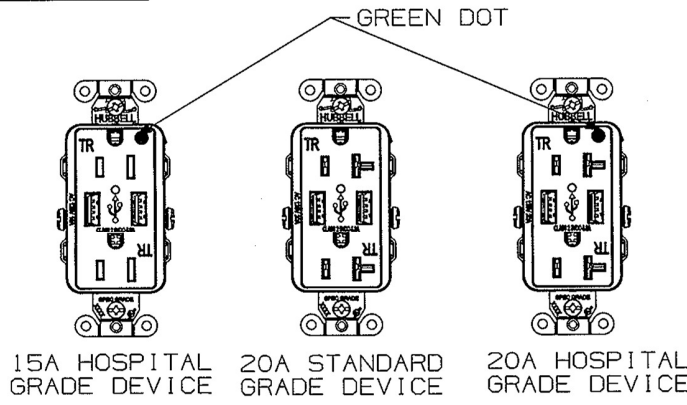
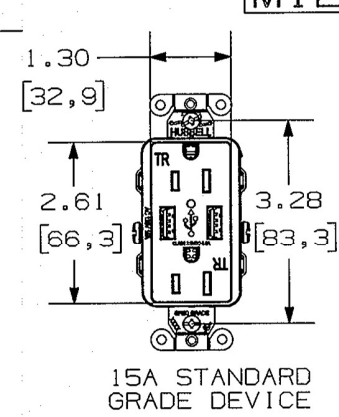
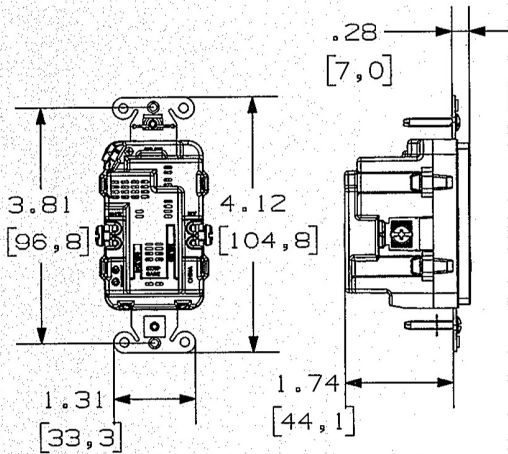


M12758 2



CATALOG	DESCRIPTION	COLOR	RATING	
USB15X2I		IVORY	15A 125V	
USB15X2W		WHITE		
USB15X2LA	15A TR RECEPTACLE WITH 3.8A	LIGHT ALMOND		
USB15X2OW		OFFICE WHITE		
USB15X2BK		BLACK		
USB15X2R		RED		
USB15X2GY	5VDC USB CHARGER	GRAY		
USB15X2		BROWN		
USB8200I		IVORY		20A 125V
USB8200W		WHITE		
USB8200LA	20A TR HOSPITAL GRADE RECEPTACLE WITH 3.8A	LIGHT ALMOND		
USB8200OW		OFFICE WHITE		
USB8200BK		BLACK		
USB8200R		RED		
USB8200GY	5VDC USB CHARGER	GRAY		
USB8200		BROWN		
USB20X2I		IVORY		
USB20X2W		WHITE		
USB20X2LA	20A TR RECEPTACLE WITH 3.8A	LIGHT ALMOND		
USB20X2OW		OFFICE WHITE		
USB20X2BK		BLACK		
USB20X2R		RED		
USB20X2GY	5VDC USB CHARGER	GRAY		
USB20X2		BROWN		
USB8300I		IVORY	20A 125V	
USB8300W		WHITE		
USB8300LA	20A TR HOSPITAL GRADE RECEPTACLE WITH 3.8A	LIGHT ALMOND		
USB8300OW		OFFICE WHITE		
USB8300BK		BLACK		
USB8300R		RED		
USB8300GY	5VDC USB CHARGER	GRAY		
USB8300		BROWN		

NOTES:
 1. ALL DIMENSIONS ARE INCHES [mm].
 2. RATING/TYPE:
 RECEPTACLE: SEE TABLE.
 USB PORT CHARGER OUTPUT: 5VDC, 3.8A MAX.

LIST OF PARTS

DESCRIPTION	MATERIAL	FINISH
COVER	THERMOPLASTIC	COLOR PER CAT#
BASE	THERMOPLASTIC	BLACK
TR SHUTTER	THERMOPLASTIC	
STRAP	GALV. STEEL	
MOUNTING SCREW	STEEL	ZINC PLATED
TERMINALS	BRASS ALLOY	
GROUND SCREW	STEEL	GREEN DYE
TERMINAL SCREW (HOT)	STEEL	BRASS PLATED
TERMINAL SCREW (NEUTRAL)	STEEL	NICKEL PLATED

DIMENSION SHEET FOR CAT. NO. M-12758 2
 SEE TABLE
 REPAIRABLE NON-REPAIRABLE

2	07/09/15 NO DWG CHANGE, UPDATE MODEL PER DCN #21553.	07/09/15
1	12/11/14 NEW RELEASE PER DCN #20988. CZ	12/11/14
SYM	REVISIONS	APP DATE

THE DESIGN AND DIMENSIONS OF THE PRODUCT SHOWN ON THIS DRAWING ARE SUBJECT TO CHANGE WITHOUT NOTICE

TITLE
 HUBBELL 2X2 USB CHARGER TR RECEPTACLE

TOLERANCES UNLESS OTHERWISE SPECIFIED .XX = ± .01 .XXX = ± .005 ANGLES = ± 2°	WIRING DEVICE-KELLENS HUBBELL INCORPORATED SHELTON, CT	
	DR. BY N.H	APP. BY
	TR. BY DL	SCALE 1:2
	CHK. BY C.Z	DATE 2014/12/11