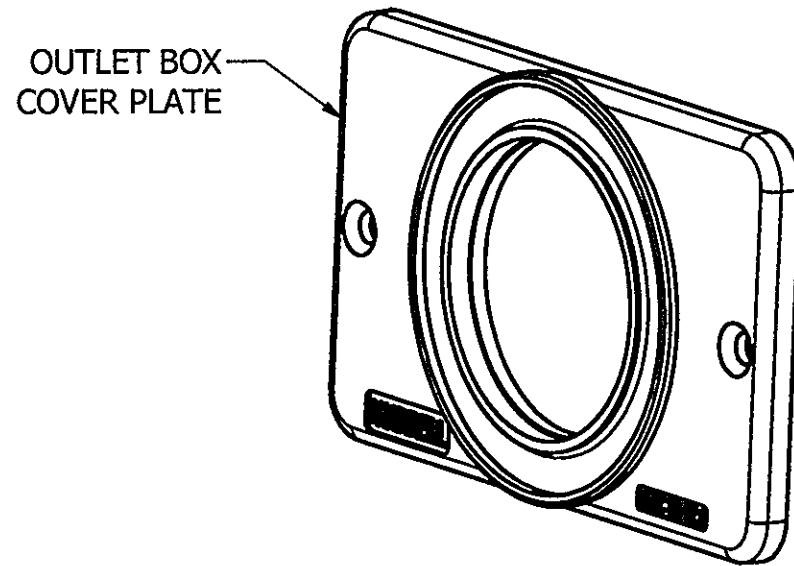
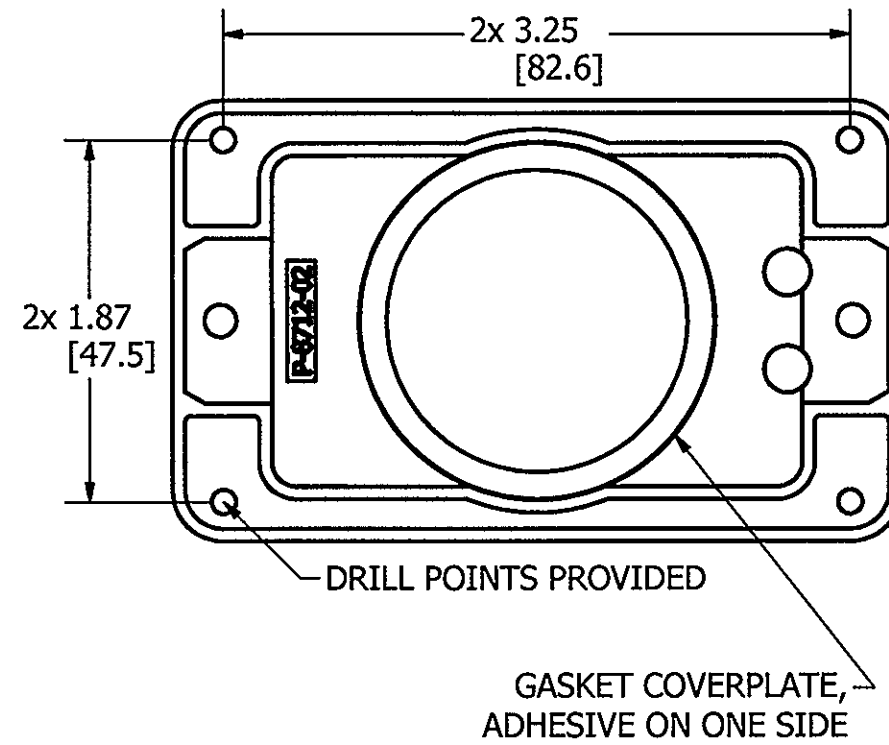
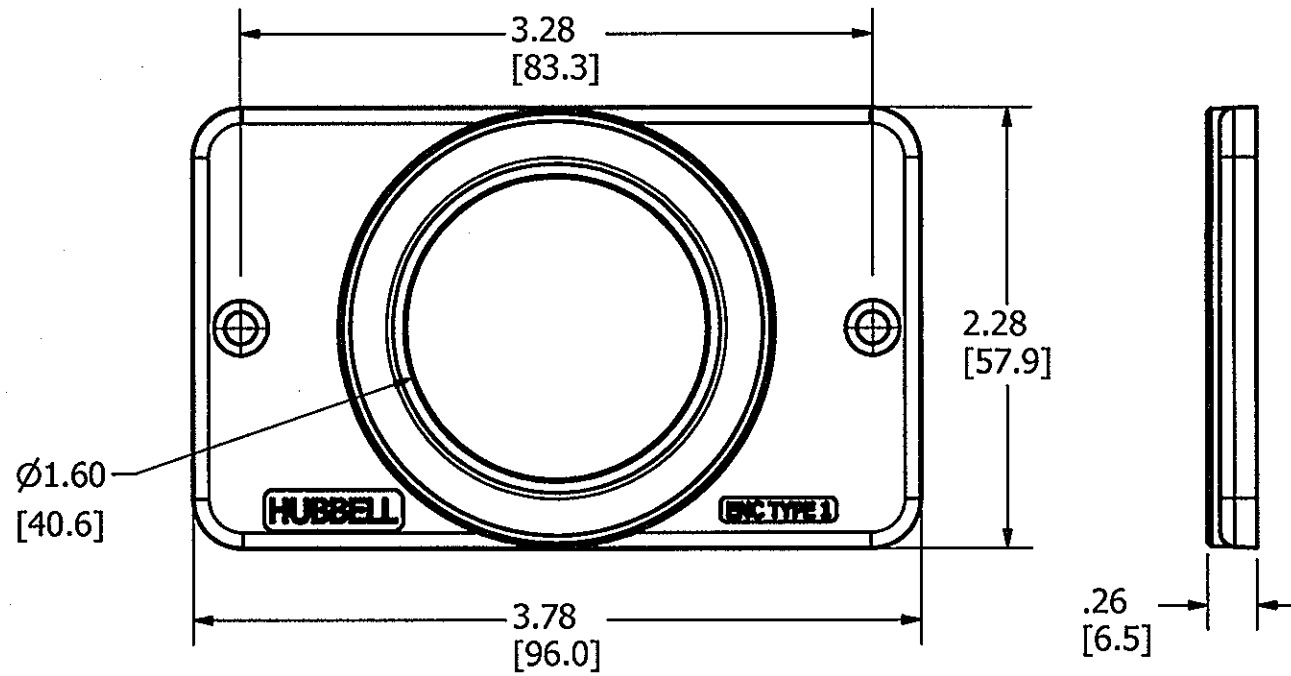


M-12478

2



NOTES:

- COVER PLATE RATING UL TYPE 1.
- ALL DIMENSIONS IN INCHES AND [MM].

LIST OF PARTS

DESCRIPTION	MATERIAL	FINISH
COVERPLATE	VALOX	GRAY
GASKET COVERPLATE	CLOSE CELL SYNT. RUBBER ADH ONE SIDE	

SYM	DESCRIPTION	APPROVED	DATE
2	04/03/2014 UPDATED COVERPLATE AND ADDED ADH ONE SIDE GASKET PER DCN20407 EB TLS	TLS <i>TLS</i>	4/3/2014
1	09/10/13 RELEASED FOR PRODUCTION PER DCN20067 EB TLS	TLS	

SYM	DESCRIPTION	APPROVED	DATE
-----	-------------	----------	------

THE DESIGN AND DIMENSIONS OF THE PRODUCT SHOWN ON THIS DRAWING ARE SUBJECT TO CHANGE WITHOUT NOTICE

TITLE  
OUTLET BOX PLATE 1.60" DIA. OPENING

TOLERANCES UNLESS OTHERWISE SPECIFIED	WIRING DEVICE-KELLEMS HUBBELL INCORPORATED SHELTON, CT	
FRACTIONS ±1/64	DR. BY <i>ebazayev</i>	APP. BY <i>TLS</i>
DECIMALS ±.005	TR. BY	SCALE 1:1
ANGLES ±2°	CHK'D BY <i>TLS</i>	DATE 9/3/2013

DIMENSION SHEET FOR CAT. NO. HBL 3055

REPAIRABLE

NON-REPAIRABLE

**B**

**M-12478**

**2**