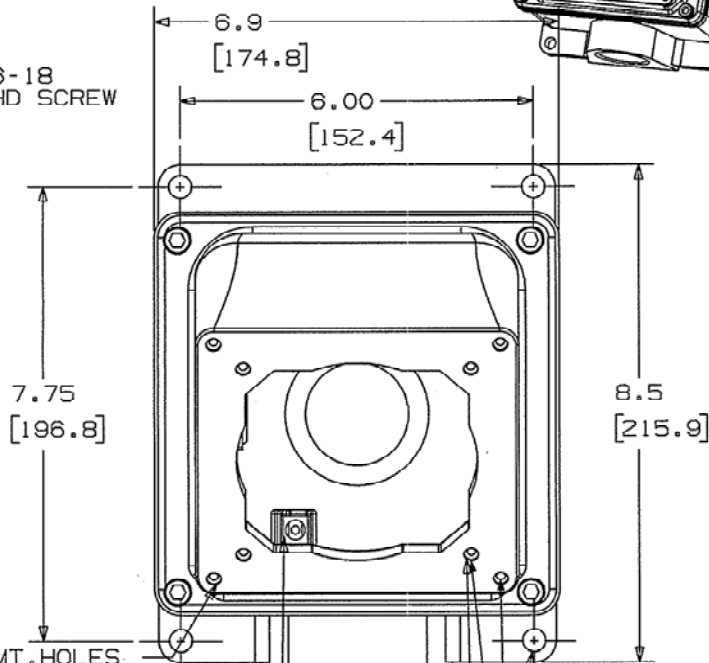
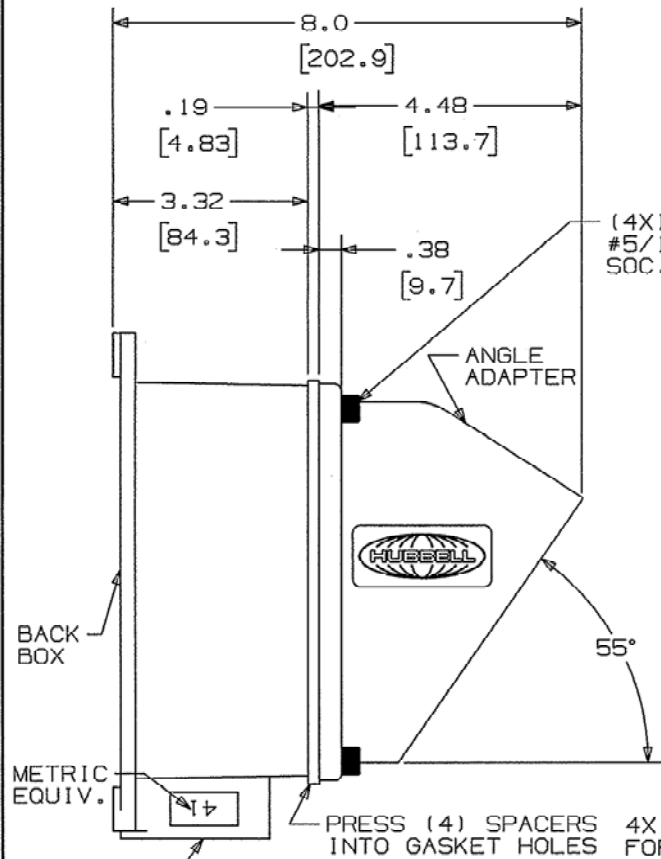
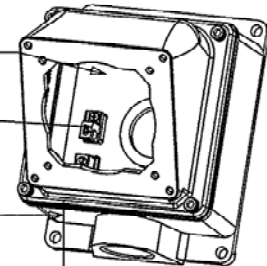


M-11175 2

BOX VOLUME 100 CU IN.
1638.7 CM³

TERMINAL LUG
TO BACK BOX
WIRE RANGE #4-14 STR.CU.



NOTES:
 1-1/2 NPT THD. THREADED HUB ON BACK BOX CAN POINT IN ANY (1) OF FOUR (4) DIRECTIONS

1. DIMENSIONS ARE IN INCHES [MM].
2. TOLERANCE TO BE .X ±.06
TOLERANCE TO BE .XX ±.03
ANGLES ±2°
3. UL AND cUL LISTED.

CODE 74546

LIST OF PARTS		
DESCRIPTION	MATERIAL	FINISH
BACK BOX	CAST ALUM	GREY PAINT
ANGLE ADAPTER	CAST ALUM	GREY PAINT
GASKET	NEOPRENE	
HEX SOCKET HD CAP SCRS	STEEL	ZINC PLATE
BOX TERMINAL LUG	ALUMINUM	
GROUND LUG SCREW	STEEL	
SPACERS	ALUMINUM	
PRESSURE SCREW	ALUM	
TERMINAL LUG	ALUM	ELECTRO-TIN
SCREW #10	STEEL	ZINC PLATE

SYM	REVISIONS	APP	DATE
2	ADDED TERMINAL LUG DCN 15417 01/08/09	CAC	CAC
1	NEW RELEASE PER DCN 15335 11/24/08	CAC	

THE DESIGN AND DIMENSIONS OF THE PRODUCT SHOWN ON THIS DRAWING ARE SUBJECT TO CHANGE WITHOUT NOTICE

TITLE
 60A, 100A ANGLE ADAPTER WITH BACK BOX

TOLERANCES UNLESS OTHERWISE SPECIFIED		WIRING DEVICE-KELLEMS HUBBELL INCORPORATED BRIDGEPORT, CT	
FRACTIONS	±1/64	DR. BY	CAC
DECIMALS	±.005	TR. BY	SCALE 1/2
ANGLES	±2°	CHK'D BY	DATE 11/18/08

DIMENSION SHEET FOR CAT. NO. FW6010055
 REPAIRABLE NON-REPAIRABLE
 B M-11175 2