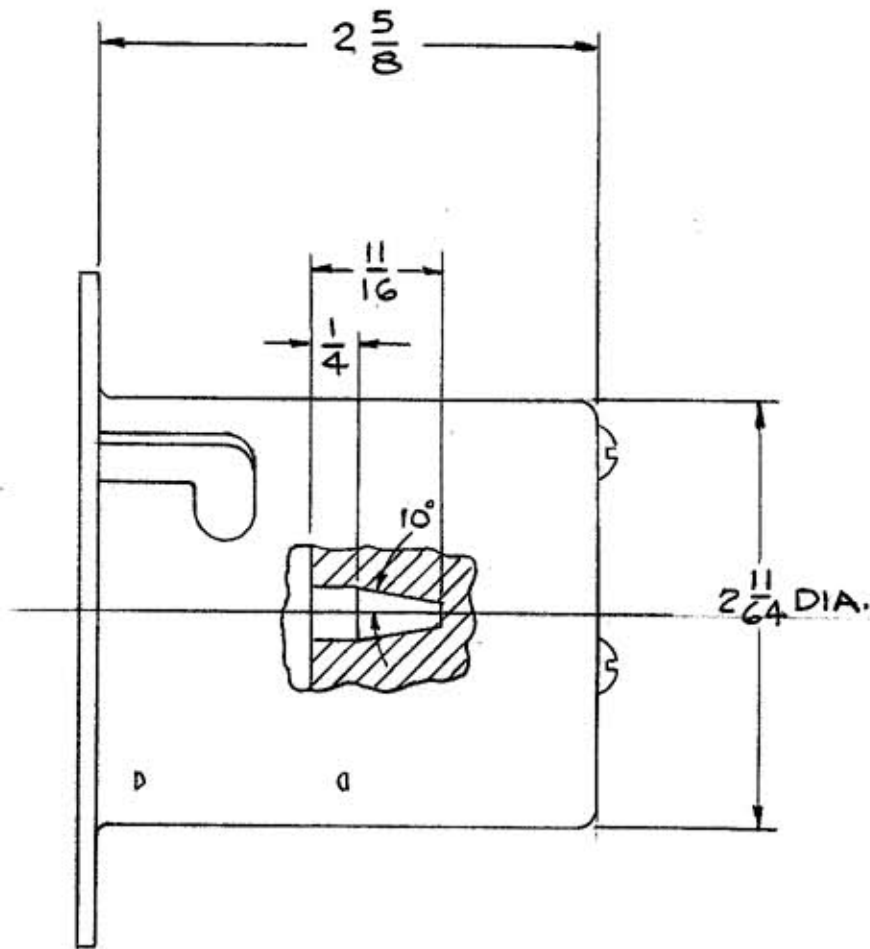
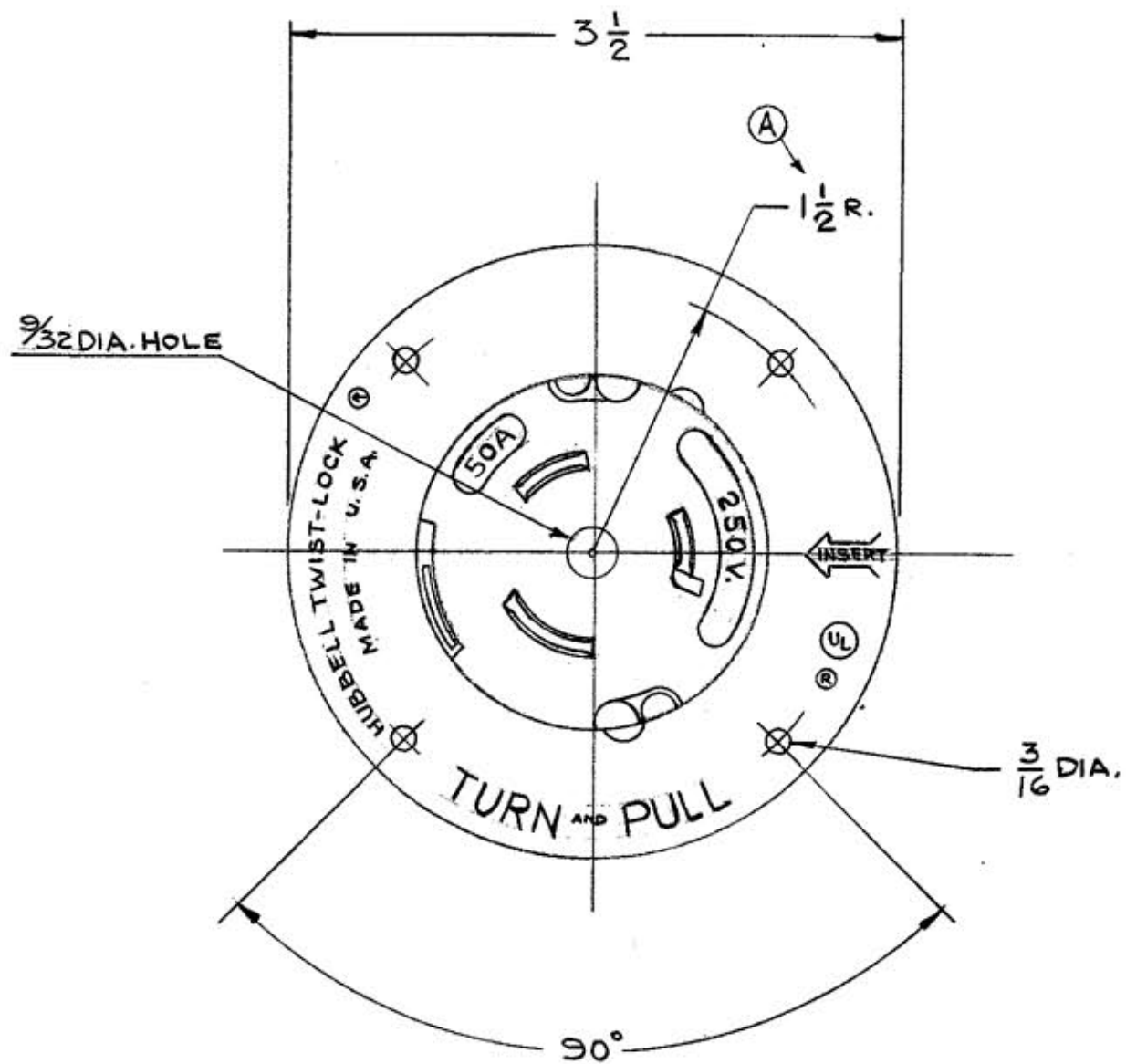


M-5639 2



LIST OF PARTS		
DESCRIPTION	MATERIAL	FINISH
INSULATORS	PHENOLIC	
CONTACT BLADES	.100 BRASS	
TERMINALS	.050 STEEL	1- GREEN 2- BRASS
GR. SPRING	.025 BRONZE	
PRESSURE SCR'S.	STEEL	CAD. PL. YELLOW GRAM
FLANGED CASING	.062 STEEL	ZINC PL.
RD. HD. SCREWS	STEEL	ZINC PL.

REPAIRABLE NON-REPAIRABLE

SYM	REVISIONS	APP	DATE
2	GR. TERMINAL REMOVED FROM LIST OF PART A.J.L.		
1	"A" DIM. CORRECTED #JL		4-26-74

B M-5639

TITLE 50A, 250 V. 2 POLE
3-WIRE NON-INTERCHANGEABLE
TWIST-LOCK FLANGED INLET
WITH CENTER HOLE

TOLERANCES UNLESS OTHERWISE SPECIFIED
 FRACTIONS ± 1/64
 DECIMALS ± .005
 ANGLES ± 2°

HARVEY HUBBELL, INC.
 BRIDGEPORT, CONN.
 DR. BY A.J.L. APP. BY _____
 TR. BY _____ SCALE FULL
 CHK'D. BY _____ DATE 4-4-73

CODE 74545

2

DIMENSION SHEET FOR CAT. NO. CS-8275