

## Floor Boxes

### 2/4-Gang, Furniture Feed Carpet Cover

# HUBBELL

#### Features

- Compatible with CFB2G25, CFB2G25CR, CFB2G30 and CFB2G30CR
- Two large cable egress doors and access 180° opening
- Maximum static load of 800 lbs. with 2x safety factor\*
- Surface style typical applications: Carpet, VCT
- Flush style typical applications: Tile, finished concrete and Terrazzo floors

#### Ordering Information

Description	Color	UPC	Catalog Number
Floor Boxes, 2/4-Gang, Furniture Feed Carpet Cover	Aluminum Powder Coat Finish	783585446585	24GCFFCVRLU

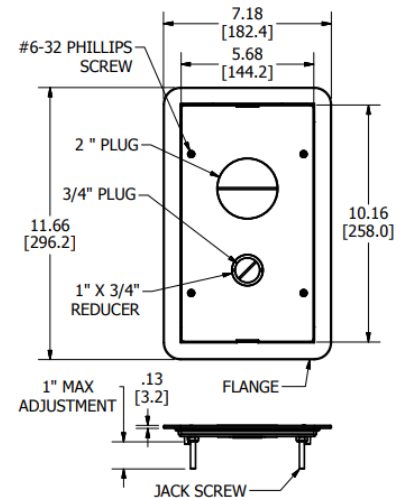


#### Standards

UL and cUL Listed  
UL Enclosure Types 3R, 4X, 12  
National Electric Code (NEC), ANSI/NFPA 70

#### Online Resources

Customer Use Drawing  
eCatalog  
Installation Instructions



Dimensions in Inches (mm)

Hubbell Wiring Device-Kellems • Hubbell Incorporated (Delaware) • 40 Waterview Drive • Shelton, CT 06484

Phone (800) 288-6000 • Fax (800) 255-1031 • Specifications subject to change without notice.

