

Midget Twist-Lock® Devices  
 15A, 125V AC, 2 Pole, 3 Wire Grounding  
 Flanged Inlet

# HUBBELL

## Features

- Fully Insulated nylon casing with integral flange
- Black color blends in with equipment



## Ordering Information

Description	Terminals	UPC	Catalog Number
Black nylon flanged inlet.	Exposed	783585237800	HBL7595N

## Listings

Listed to UL 498  
 Certified to CSA C22.2 No.42

## Specifications

Flange	Nylon
Base	Nylon
Blades	Bronze
Terminal Screws	#5-40 Brass

## Performance

### Electrical

Current Interrupting Certified for current interrupting at full rated current  
 Dielectric Voltage Withstands 2,000V minimum

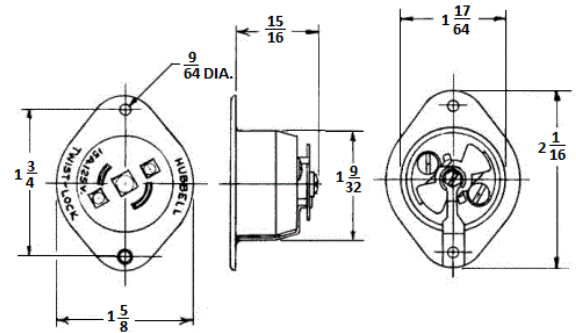
### Mechanical

Terminal Accommodation #18 AWG - #14 AWG solid or stranded copper wire only.

Terminal Identification Terminals identified in accordance with UL 498

### Environmental

Flammability HB or better per UL94/CSA 22.2 No.0.17  
 Moisture Resistance IP20 Suitability  
 Operating Temperatures Maximum Continuous 75°C; Minimum -40°C (w/o impact)



## Accessories

Valise® Connector	HBL7593V
Connector	HBL77593
Angled Connector	HBL7571

## Resources

Customer Use Drawing  
 eCatalog

Dimensions in Inches (mm)

Hubbell Wiring Device-Kellems • Hubbell Incorporated (Delaware) • 40 Waterview Drive • Shelton, CT 06484

Phone (800) 288-6000 • Fax (800) 255-1031 • Specifications subject to change without notice.

