

Midget Twist-Lock® Devices
 15A, 125/250V AC, 3 Pole, 3 Wire
 Non-Grounding
 Flanged Inlet

HUBBELL



15A 125/250V
 NEMA ML-3P



Features

- Stainless Steel mounting flange
- High heat resistant phenolic base

Ordering Information

Description	Terminals	UPC	Catalog Number
Stainless steel flanged inlet.	Exposed	783585237442	HBL7486

Listings

Listed to UL 498

Specifications

Flange	Stainless Steel
Base	Phenolic
Blades	Brass
Terminal Screws	#5-40 Brass

Performance

Electrical

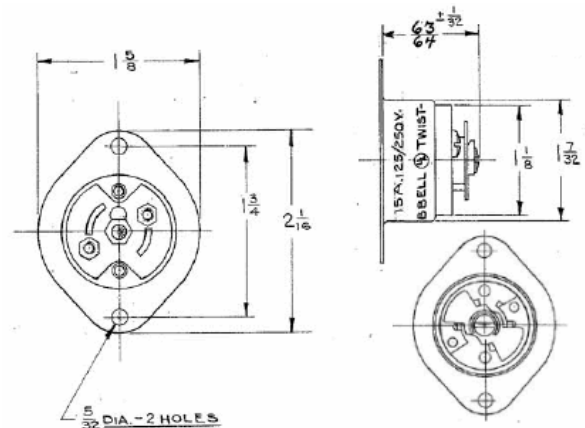
Current Interrupting	Certified for current interrupting at full rated current
Dielectric Voltage	Withstands 2,000V minimum

Mechanical

Terminal Accommodation	#18 AWG - #14 AWG solid or stranded copper wire only.
Terminal Identification	Terminals identified in accordance with UL 498

Environmental

Flammability	HB or better per UL94/CSA 22.2 No.0.17
Moisture Resistance	IP20 Suitability
Operating Temperatures	Maximum Continuous 75°C; Minimum -40°C (w/o impact)



Accessories

Valise® Connector	HBL7484V
Connector	HBL7484
Angled Connector	HBL7433

Resources

Customer Use Drawing	
eCatalog	

Dimensions in Inches (mm)

Hubbell Wiring Device-Kellems • Hubbell Incorporated (Delaware) • 40 Waterview Drive • Shelton, CT 06484

Phone (800) 288-6000 • Fax (800) 255-1031 • Specifications subject to change without notice.

