

Twist-Lock® Devices
20A Accessories
Weatherproof Boot

HUBBELL

Features

- Weather protective covering
- Durable thermoplastic elastomer material
- Ribbed design provides a secure grip

Ordering Information

Description	Device Color	UPC	Catalog Number
Seal-Tite® triple seal boot for plugs when used in a cord set or for connector bodies when used with a flange inlet	Yellow	783585752525	HBL60CM31



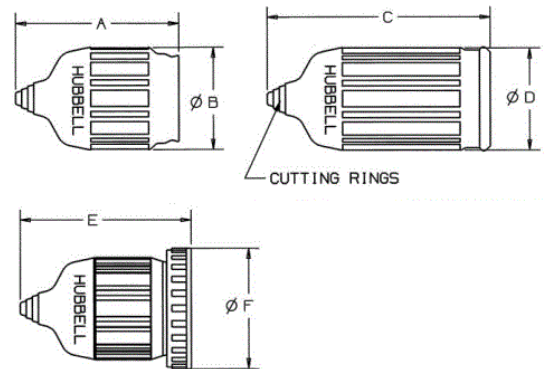
Specifications

Material	Thermoplastic Elastomer
----------	-------------------------

Performance

Environmental

Moisture Resistance	IP55
Operating Temperatures	Maximum Continuous 75°C; Minimum -40°C (w/o impact)



Accessories

Plug/Connector Accommodation 20 Amp & 30 Amp, 3 Wire Twist-Lock®

Resources

Customer Use Drawing
eCatalog

Dimensions in Inches (mm)

Hubbell Wiring Device-Kellems • Hubbell Incorporated (Delaware) • 40 Waterview Drive • Shelton, CT 06484

Phone (800) 288-6000 • Fax (800) 255-1031 • Specifications subject to change without notice.

