

Hubbellock® Devices  
 30 Amp Hubbellock® Accessories  
 Adapter

# HUBBELL

### Ordering Information

Description	Cord Diameter	UPC	Catalog Number
Adapter for Use with 1/2" NPT Conduit Fittings		783585887500	SAB12



### Listings

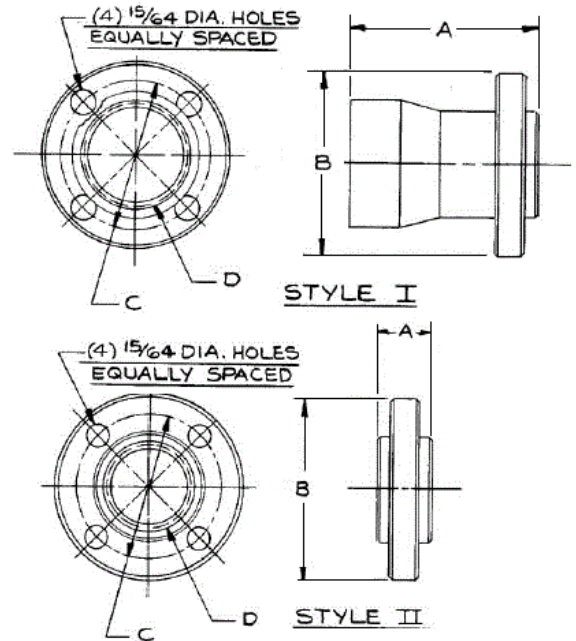
Listed to UL Standard  
 Certified to CSA Standard

### Specifications

Weight	0.2
--------	-----

### Performance

Environmental Flammability	UL 94 V0 for Receptacles and Inlets. HB or better for Plugs and Connectors
-------------------------------	--



### Accessories

Plug/Connector Accommodation 16A & 20A, 3 & 4 Wire IEC Pin & Sleeve  
 Plug/Connector Accommodation 30A Hubbellock®

### Resources

Customer Use Drawing  
 eCatalog

Dimensions in Inches (mm)

Hubbell Wiring Device-Kellems • Hubbell Incorporated (Delaware) • 40 Waterview Drive • Shelton, CT 06484

Phone (800) 288-6000 • Fax (800) 255-1031 • Specifications subject to change without notice.

