

Floor Boxes

Flush Rectangular Non-Metallic Concrete Covers and Flanges

HUBBELL

Features

- Durable cast aluminum construction available
- Provides consistent look and maximum functionality
- Locking studs allow each door to be secured independently

Ordering Information

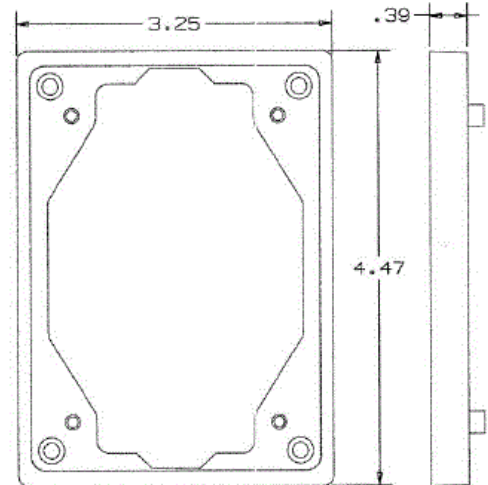
Description	Device Type	UPC	Catalog Number
Cover Frame, one	Cover Frame	783585848273	PFBRFRA

Listings

UL Listed File Number E92074
UL Standard 514C

Specifications

Floor Box Version	Rectangular
Floor Box Item	Non-Metallic Cover Frame
Material	Gray ABS



Online Resources

[Customer Use Drawing](#)
[eCatalog](#)
[Installation Instructions](#)

Dimensions in Inches (mm)

Hubbell Wiring Device-Kellems • Hubbell Incorporated (Delaware) • 40 Waterview Drive • Shelton, CT 06484

Phone (800) 288-6000 • Fax (800) 255-1031 • Specifications subject to change without notice.

