

Ordering Information

| | | |
|--|----------------------------|---------------------------------|
| Description 1 1/4" Liquidtight Adapter | UPC 783585140308 | Catalog Number SAD125 |
|--|----------------------------|---------------------------------|

| | |
|---|--|
| Used With IEC Pin & Sleeve 100 & 125A (all) | Used With Insulgrip Pin & Sleeve: 100A |
|---|--|

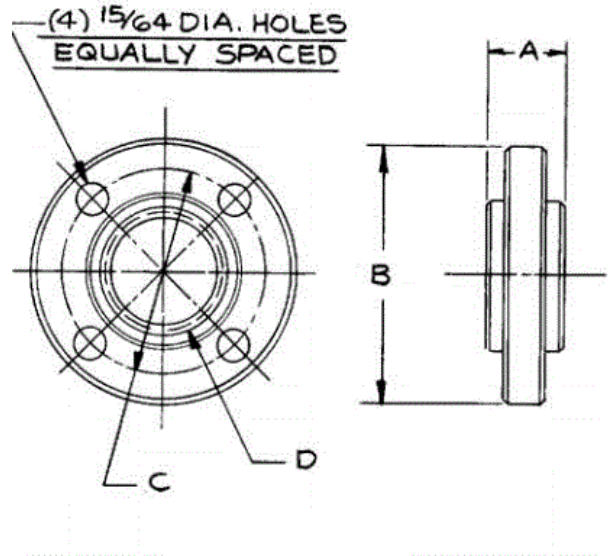


Standards

UL Listed
CSA Certified

Specifications

| | |
|-----------------|-------------------|
| Accessory Item | Conduit Adapter |
| Hub | Machined Aluminum |
| Assembly Screws | Stainless Steel |
| Gaskets | Neoprene |



Online Resources

Customer Use Drawing
eCatalog
Installation Instructions