

Floor Boxes
Accessories
Covers and Fittings

HUBBELL

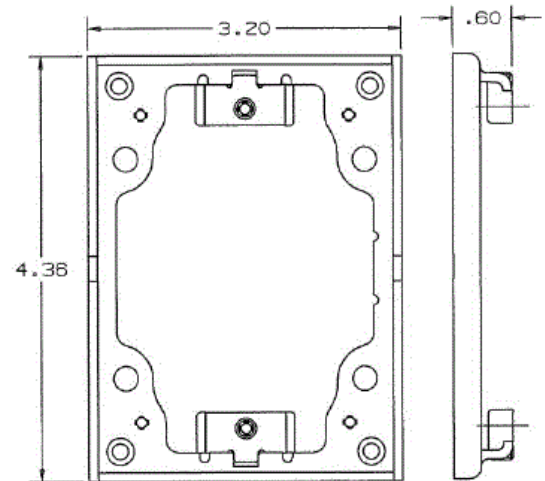


Ordering Information

Description	Material	UPC	Catalog Number
Rectangular Cover	Aluminum	783585341408	SA5017A

Specifications

Accessory Type	Replacement Cover Flanges
For Use With	Rectangular Boxes
Box Type	Rectangular
Dimension	3.19" (81.0) x 4.38" (111.2)



Online Resources

[Customer Use Drawing](#)
[eCatalog](#)
[Installation Instructions](#)

Dimensions in Inches (mm)

Hubbell Wiring Device-Kellems • Hubbell Incorporated (Delaware) • 40 Waterview Drive • Shelton, CT 06484

Phone (800) 288-6000 • Fax (800) 255-1031 • Specifications subject to change without notice.

