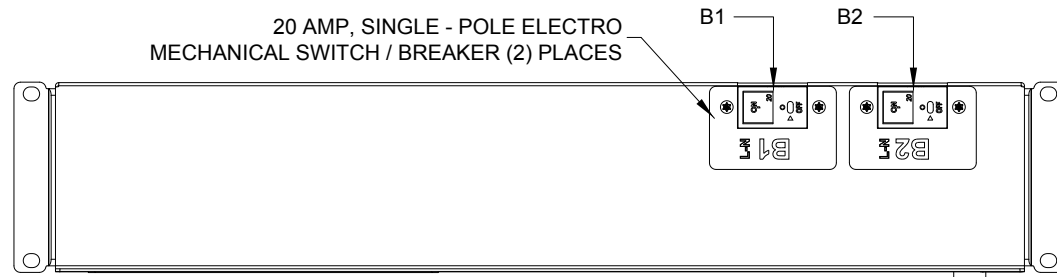


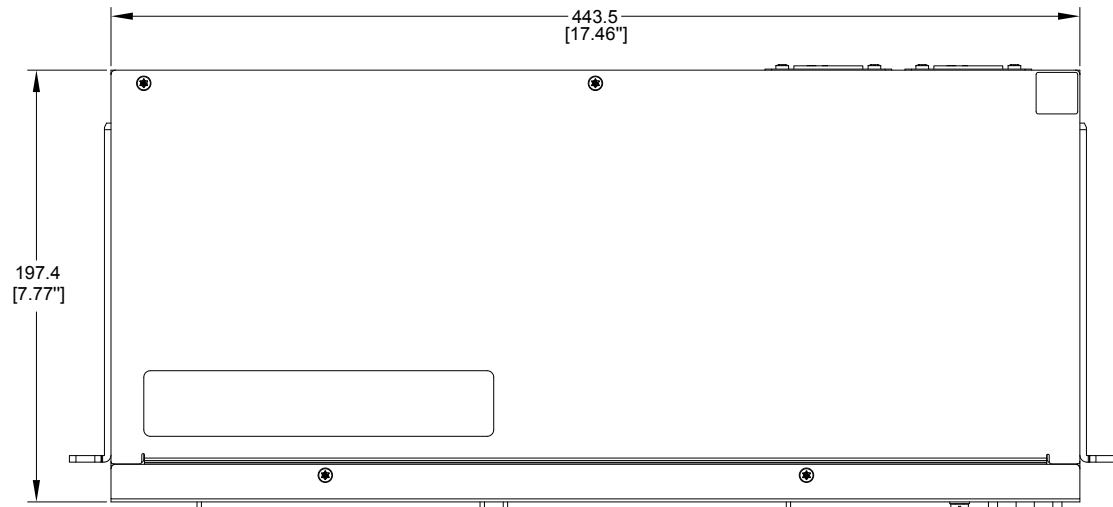
2

1

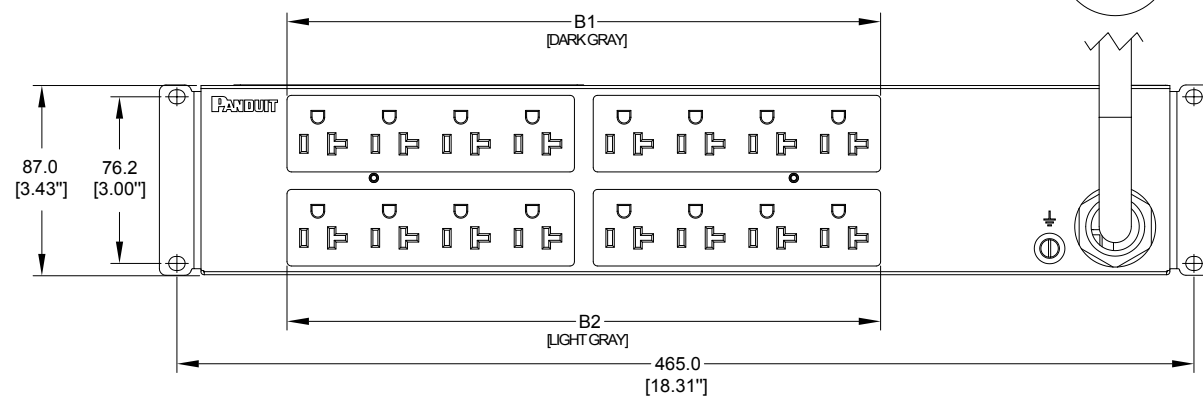
20 AMP, SINGLE - POLE ELECTRO MECHANICAL SWITCH / BREAKER (2) PLACES



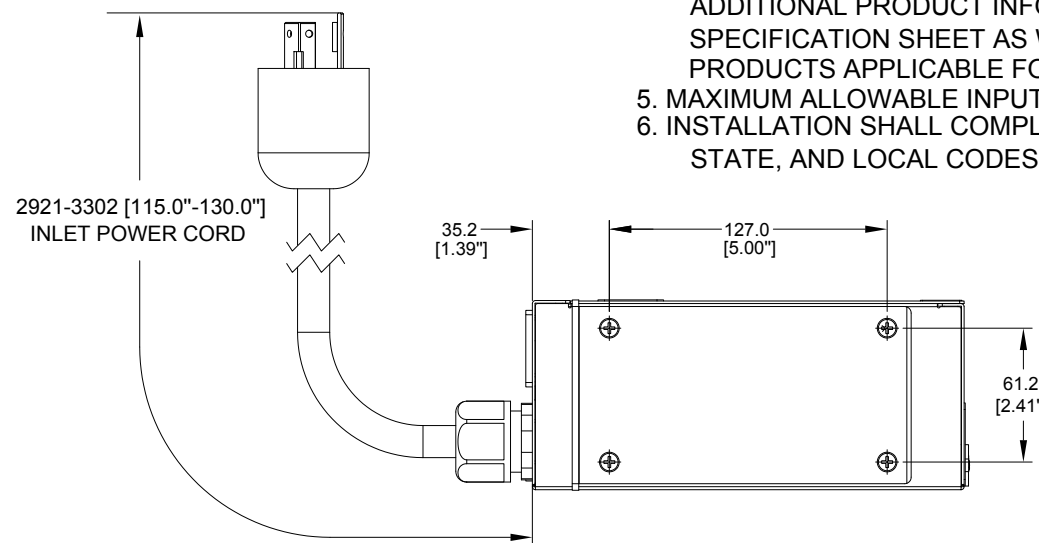
REAR VIEW



TOP VIEW



FRONT VIEW



SIDE VIEW

PANDUIT P/N	WEIGHT
P16B41M	4.6kg

NOTES:

1. IDENTIFICATION:

UNIT TYPE:	BASIC
ORIENTATION:	HORIZONTAL, 1U
OUTLET QTY&TYPE:	(16) NEMA 5-20R
BREAKER QTY&TYPE:	(2) 20AMP, SINGLE-POLE
INPUT VOLTAGE:	100-120VAC
INPUT CURRENT:	30A (24A DERATED)
INPUT PHASE:	SINGLE-PHASE
RATED POWER:	2.9kVA
INPUT PLUG:	NEMA L5-30P
INPUT CORD LENGTH:	3m [10']

2. ACCESSORIES:

- POCKET GUIDE
- QTY: (4) M6 X 12 PAN HEAD MACHINE SCREWS
- QTY: (4) M6 CAGED NUT

3. RoHS COMPLIANT

4. VISIT PANDUIT'S ON-LINE CATALOG AT WWW.PANDUIT.COM FOR ADDITIONAL PRODUCT INFORMATION CONTAINED IN THE SPECIFICATION SHEET AS WELL AS A CURRENT LIST OF PRODUCTS APPLICABLE FOR USE WITH THIS PART

5. MAXIMUM ALLOWABLE INPUT POWER = 2.9 kW

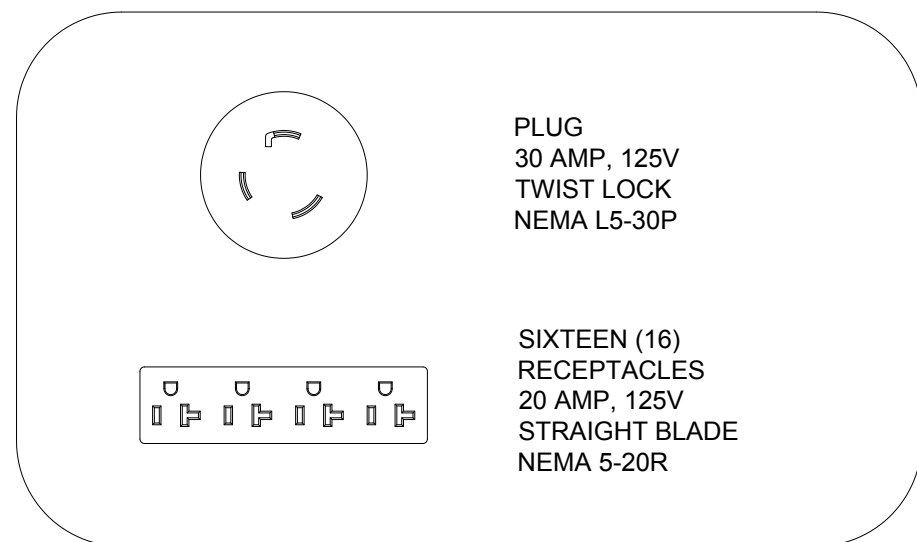
6. INSTALLATION SHALL COMPLY WITH ALL APPLICABLE NATIONAL, STATE, AND LOCAL CODES

B

B

A

A



PLUG
30 AMP, 125V
TWIST LOCK
NEMA L5-30P

SIXTEEN (16)
RECEPTACLES
20 AMP, 125V
STRAIGHT BLADE
NEMA 5-20R

REV	DATE	BY	CHK	APR	DESCRIPTION	ECN
01B	08/21/2017	JIANG	MIM	EDM	REVISED TOLERANCES	P16B41M
01A	06/28/2017	JIANG	MIM	EDM	INITIAL RELEASE	P16B41M

WE ASK THAT YOU CHECK FULLY THE DIMENSIONS, NOTES, AND SIGN THE CLIENT SIGNATURE BOX. THE JOB WILL NOT PROGRESS WITHOUT SIGNED APPROVAL. PLEASE DO NOT DELAY IN RETURNING PROOF AS IT WILL AFFECT DELIVERY		SIGN
		DATE
		PRINT
TITLE BASIC SERIES PDU P16B41M CUSTOMER DRAWING		
ITEM REVISION NAME:		PANDUIT
DATASHEET FILE NAME:		
UNLESS OTHERWISE SPECIFIED DIMENSIONAL TOLERANCE ARE: mm [IN]		MATERIAL/COLOR: N/A
Tolerance(mm) 0<L<50 ±0.5 50<L<250 ±1.0 250<L<500 ±1.5 500<L<1000 ±2.5 1000<L<2000 ±4.0		DRAWING NUMBER: P16B41M_DC
THIRD ANGLE PROJECTION	DRAWN BY: JIANG	SCALE: NONE
	DATE: 05/24/2017	CHK: SEAN
		SCALE: NONE
		SHT 1 OF 1
		SCALE: B

2

1

