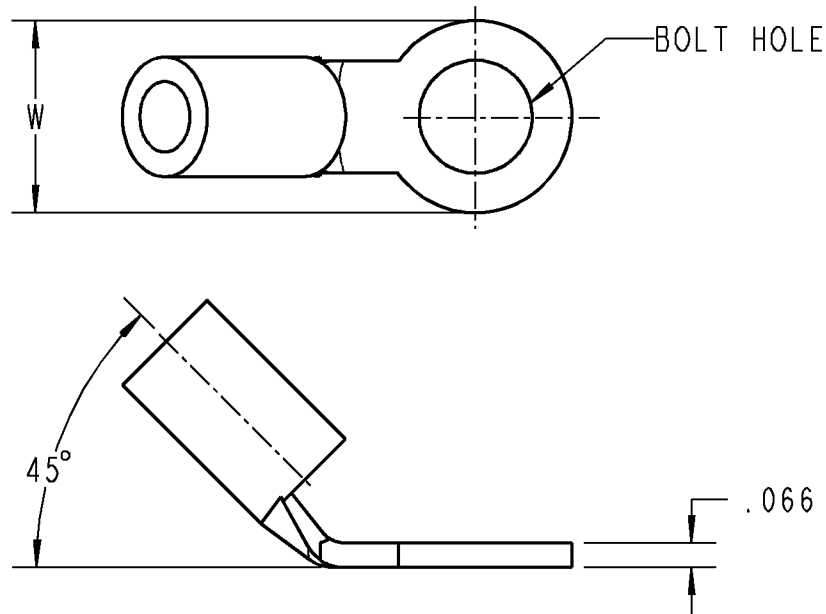


**T&B****Sta-Kon**

ALL DIMENSIONS ARE APPROXIMATE.

CATALOG No.	DIM. W MAX	WIRE RANGE	BOLT HOLE
E26UF	.48	5-6	#10
E71UF	.48	5-6	1/4
E72UF	.60	5-6	5/16
E73UF	.60	5-6	3/8
E75UF	.82	5-6	1/2



## NOTES:

1. MATERIAL: ELECTROLYTIC COPPER
2. FINISH: TIN PLATED
3. SAME AS STANDARD T&B CATALOG NUMBER BUT WITH A "UF" SUFFIX FOR 45° BEND.
4. INSTALLATION TOOLS: WT115A, WT3185.
5. INSTALLATION DIES: 11802 INDENTOR, E-11805-NEST

## GENERAL NOTES

1. ALL DIMENSIONS ARE FOR REFERENCE ONLY.
2. DIMENSIONS IN BRACKETS [ ] ARE IN METRIC UNITS.

## REVISIONS

- |   |   |
|---|---|
| - | SEE ERN ( 2005696 ) FOR APPROVAL SIGNATURES & RELEASE DATE.<br>PROJECT NO: TM401323 |
|---|---|

**Thomas & Betts**  
 www.tnb.com

 DESCRIPTION: **SPECIAL STA-KON TERMINALS 45° BEND**  
**E-SERIES**

ORIGINAL PROJECT NO / ( ERN NO )

TM401323 / ( 2005696 )

SHEET NO:

1 OF 1

REV. NO:

-

DRAWING NO:

WSD-000177