

Pipe Straps, Conduit Clamps and Hangers

F-111 — Forged Steel Clevis

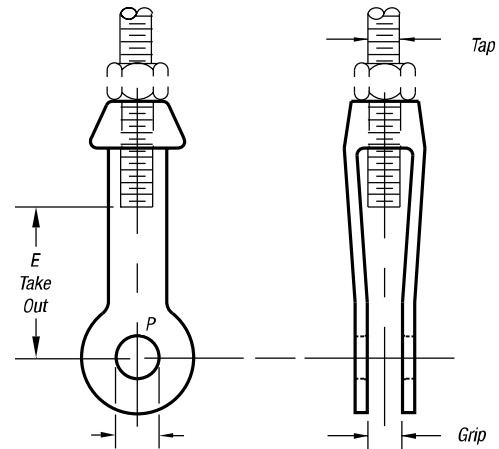
Used to connect rod ends with structural steel welding lug plates or lugs welded to pipe. It provides a pivot point and adjustment. It can be supplied with a pin as F-111.

Specifications

- Material: Forged Steel
- Compliance: Federal Specification A-A-1192A Type 14, MSS-SP 69 Type 14 and BSPSS-BS3974
- Finish: Standard Finish — GoldGalv®, Black (add suffix “-B”), Electro-Galvanized (add suffix “-EG”)
- Ordering: Specify catalog number, rod size, pin size, grip “G” and finish

CAT. NO.	ROD SIZE	MAX. LOAD 650° F/343° C	PIN/BOLT DIA.	SIZE NO.	P	WT. EACH (LBS.)
F-111-3/8	3/8	610	1/2	2	3/16	.77
F-111-1/2	1/2	1,130	3/8	2	1/16	.77
F-111-5/8	5/8	1,810	3/4	2	3/16	.77
F-111-3/4	3/4	2,710	7/8	2 1/2	1	2.50
F-111-7/8	7/8	3,770	1	2 1/2	1 1/8	2.50
F-111-1	1	4,960	1 1/8	3	1 1/4	4.00
F-111-1-1/4	1 1/4	8,000	1 3/8	3	1 1/2	4.00
F-111-1-1/2	1 1/2	11,630	1 1/2	3 1/2	1 3/4	6.00
F-111-1-3/4	1 3/4	15,700	1 7/8	4	2	8.00
F-111-2	2	20,700	2 1/4	5	2 3/8	16.00
F-111-2-1/4	2 1/4	27,200	2 1/2	6	2 7/8	26.00
F-111-2-1/2	2 1/2	33,500	2 3/4	6	2 7/8	36.00

Standard Finish — GoldGalv®, unless otherwise stated



F-111

Note: Pins and Cotter Pins supplied when requested as Fig. F-111.

E-120-A — Forged Weldless Eyenut

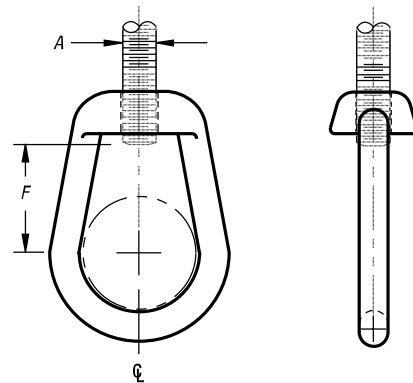
Used to connect rod ends with structural steel welded beam attachments or pipe clamps as a substitute for a welded eyerod. It provides a pivot point and adjustment. It can also be supplied tapped left hand as E-120-A.

Specifications

- Material: Forged Steel
- Compliance: Federal Specification A-A-1192A Type 14, MSS-SP 69 Type 14 and BSPSS-BS3974
- Finish: Standard Finish — GoldGalv®, Black (add suffix “-B”), Electro-Galvanized (add suffix “-EG”)
- Ordering: Specify catalog number, rod size and finish

CAT. NO.	ROD TAP A	MAX. LOAD 650° F/343° C	F	WT. EACH (LBS.)
E-120-A-3/8	3/8	610	1	.20
E-120-A-1/2	1/2	1,130	1	.31
E-120-A-5/8	5/8	1,810	1	.55
E-120-A-3/4	3/4	2,710	1	1.00
E-120-A-7/8	7/8	3,770	1 1/8	1.55
E-120-A-1	1	4,960	1 3/4	2.45
E-120-A-1-1/4	1 1/4	8,000	1 3/4	3.75
E-120-A-1-1/2	1 1/2	11,630	1 3/4	6.75
E-120-A-1-3/4	1 3/4	15,700	3 1/4	16.40
E-120-A-2	2	20,700	3 1/4	16.75
E-120-A-2-1/4	2 1/4	27,200	3 1/4	16.75
E-120-A-2-1/2	2 1/2	33,500	3 1/4	16.75

Standard Finish — GoldGalv®, unless otherwise stated



E-120-A