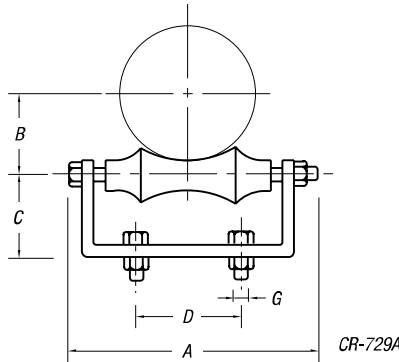


## Pipe Straps, Conduit Clamps and Hangers

### CR-729A — Roller Chair

Designed for longitudinal movement of pipe where vertical adjustment is not required. Although two bolts are supplied for installation, the chair can be alternatively welded in position.



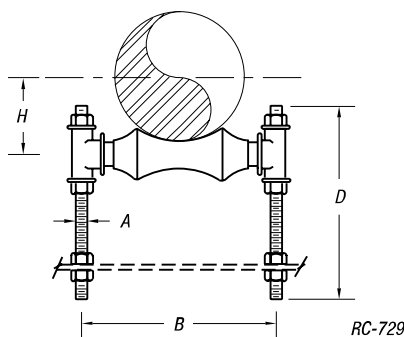
#### Specifications

- Material: Carbon Steel Chair and Axle with Cast Iron Pipe Roll. Use a Figure 17 when a Cast Iron Chair is required. Do not exceed 450° F/232° C at the contact point to the roll.
  - Finish: Standard Finish — GoldGalv®, Black (add suffix “-B”), Electro-Galvanized (add suffix “-EG”).
- For pipe with insulation and a pipe covering protection saddle, the CR-729A will have to be oversized to suit.
- Please see the Table for the RC-729A which shows the correct sizing for insulated pipe.
- Ordering: Specify pipe size, catalog number and finish.

CAT. NO.	PIPE SIZE (IN.)	MAX. LOAD (LBS.)	DIMENSIONS (IN.)				BOLT SIZE G (IN.)	WT. EACH (LBS.)
			A	B	C	D		
CR-729-2A	2	300	4 $\frac{7}{8}$	1 $\frac{1}{2}$	1 $\frac{1}{2}$	2	$\frac{3}{8}$ x 1 $\frac{1}{2}$	1.10
CR-729-2-1/2A	2 $\frac{1}{2}$	600	4 $\frac{7}{8}$	2	1 $\frac{1}{2}$	2	$\frac{3}{8}$ x 1 $\frac{1}{2}$	1.40
CR-729-3A	3	600	6	2 $\frac{1}{4}$	1 $\frac{3}{4}$	2	$\frac{3}{8}$ x 1 $\frac{1}{2}$	1.60
CR-729-3-1/2A	3 $\frac{1}{2}$	600	6 $\frac{1}{2}$	2 $\frac{5}{8}$	2 $\frac{1}{2}$	2	$\frac{3}{8}$ x 1 $\frac{1}{2}$	2.60
CR-729-4A	4	700	7	2 $\frac{1}{2}$	2 $\frac{3}{8}$	2 $\frac{1}{2}$	$\frac{3}{8}$ x 1 $\frac{1}{2}$	2.90
CR-729-5A	5	700	7 $\frac{7}{8}$	3 $\frac{1}{2}$	2 $\frac{1}{2}$	3	$\frac{1}{2}$ x 2	3.90
CR-729-6A	6	1,000	9 $\frac{3}{4}$	4	2 $\frac{3}{4}$	3 $\frac{1}{4}$	$\frac{1}{2}$ x 2	6.00
CR-729-8A	8	1,300	11 $\frac{7}{8}$	5 $\frac{1}{8}$	3	4 $\frac{1}{2}$	$\frac{5}{8}$ x 2	9.00
CR-729-10A	10	1,700	14 $\frac{1}{2}$	6 $\frac{3}{8}$	3 $\frac{3}{8}$	5	$\frac{3}{4}$ x 2 $\frac{1}{2}$	13.80
CR-729-12A	12	2,300	16 $\frac{1}{4}$	7 $\frac{1}{2}$	4 $\frac{1}{8}$	6	$\frac{3}{4}$ x 2 $\frac{1}{2}$	18.90
CR-729-14A	14	3,100	18 $\frac{1}{2}$	8 $\frac{3}{8}$	4 $\frac{1}{4}$	6 $\frac{1}{2}$	$\frac{3}{4}$ x 2 $\frac{1}{2}$	28.10
CR-729-16A	16	3,900	20	9 $\frac{1}{8}$	5 $\frac{1}{8}$	10	$\frac{7}{8}$ x 3	34.90
CR-729-18A	18	4,200	22 $\frac{3}{4}$	10 $\frac{1}{2}$	6	9 $\frac{1}{4}$	$\frac{3}{4}$ x 2 $\frac{1}{2}$	44.40
CR-729-20A	20	4,500	25 $\frac{3}{8}$	11 $\frac{1}{8}$	6 $\frac{1}{2}$	10 $\frac{1}{4}$	$\frac{3}{4}$ x 2 $\frac{1}{2}$	56.30
CR-729-24	24	6,000	30	14	7 $\frac{1}{8}$	12 $\frac{1}{4}$	$\frac{7}{8}$ x 3 $\frac{1}{2}$	87.50

Standard Finish — GoldGalv®, unless otherwise stated.

### RC-729 — Adjustable Roll Support



#### Specifications

- Material: Cast Iron Pipe Roll and Sockets, Carbon Steel Axle, Continuous Thread Rods and Hex Nuts. Do not exceed 450° F/232° C at the contact point to the roll.
  - Finish: Standard Finish — GoldGalv®, Black (add suffix “-B”), Electro-Galvanized (add suffix “-EG”).
- For pipe with insulation and a pipe covering protection saddle, the RC-729 will have to be oversized to suit.
- Please see the table for the RC-729A which shows the correct sizing for insulated pipe.
- Ordering: Specify pipe size, catalog number and finish.

CAT. NO.	PIPE SIZE (IN.)	MAX. LOAD (LBS.)	DIMENSIONS (IN.)				WT. EACH (LBS.)
			A	B	D	H	
RC-729-1-1/4	1 $\frac{1}{4}$	300	$\frac{3}{8}$	3 $\frac{3}{8}$	7 $\frac{1}{4}$	1 $\frac{1}{4}$	1.08
RC-729-1-1/2	1 $\frac{1}{2}$	300	$\frac{3}{8}$	3 $\frac{3}{8}$	7 $\frac{1}{4}$	1 $\frac{1}{8}$	1.11
RC-729-2	2	300	$\frac{3}{8}$	4 $\frac{1}{8}$	7 $\frac{1}{4}$	1 $\frac{1}{8}$	1.65
RC-729-2-1/2	2 $\frac{1}{2}$	600	$\frac{1}{2}$	5 $\frac{1}{8}$	8	2	2.72
RC-729-3	3	600	$\frac{1}{2}$	6 $\frac{1}{8}$	8	2 $\frac{1}{4}$	2.72
RC-729-3-1/2	3 $\frac{1}{2}$	700	$\frac{1}{2}$	7 $\frac{1}{8}$	8	2 $\frac{5}{8}$	2.72
RC-729-4	4	700	$\frac{5}{8}$	7 $\frac{1}{8}$	8 $\frac{1}{2}$	2 $\frac{3}{8}$	3.91
RC-729-5	5	700	$\frac{5}{8}$	8 $\frac{3}{8}$	9	3 $\frac{1}{2}$	4.63
RC-729-6	6	1,000	$\frac{3}{4}$	9 $\frac{1}{8}$	9	4	7.07
RC-729-8	8	1,300	$\frac{7}{8}$	12	10	5 $\frac{1}{8}$	11.40
RC-729-10	10	1,700	$\frac{7}{8}$	14 $\frac{1}{8}$	11	6 $\frac{3}{8}$	13.70
RC-729-12	12	2,300	$\frac{7}{8}$	16 $\frac{1}{8}$	12	7 $\frac{1}{2}$	15.90
RC-729-14	14	3,075	1	17 $\frac{1}{4}$	12	8 $\frac{3}{8}$	28.70
RC-729-16	16	3,970	1	19 $\frac{1}{4}$	18	9 $\frac{1}{2}$	42.50
RC-729-18	18	4,200	1	21 $\frac{1}{4}$	18	10 $\frac{1}{2}$	46.60
RC-729-20	20	4,550	1 $\frac{1}{4}$	24 $\frac{1}{4}$	18	11 $\frac{1}{8}$	66.20
RC-729-24	24	6,160	1 $\frac{1}{2}$	28 $\frac{3}{8}$	24	14	102.50
RC-729-30	30	7,290	1 $\frac{1}{2}$	35 $\frac{1}{2}$	24	17 $\frac{1}{2}$	186.80

Standard Finish — GoldGalv®, unless otherwise stated.