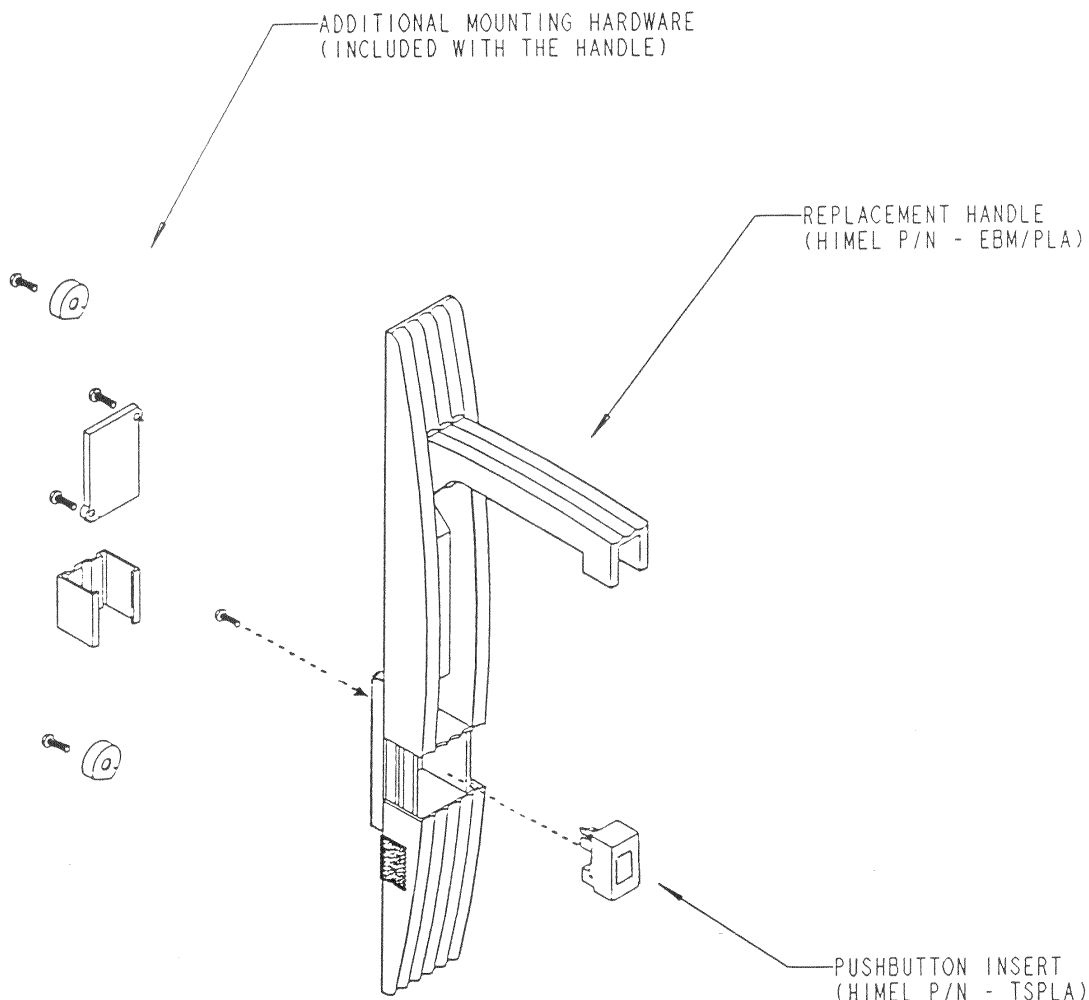



# Carlton®



NOTE:  
 HIMEL REPLACEMENT HANDLE W/PUSH BUTTON (P/N HLAHAN) CONSIST OF:  
 (1) HANDLE (HIMEL P/N EBM/PLA)  
 (1) PUSH BUTTON INSERT (HIMEL P/N TSPLA)  
 EACH COMPONENT IS ENCLOSED IN A POLYBAG WHICH ARE FASTENED TOGETHER.

P/N HLAHAN

|   |   |                     |               |                                   |
|---|---|---------------------|---------------|-----------------------------------|
| <b>GENERAL NOTES</b>  | <br><small>www.tnb.com</small> |                     |               |                                   |
| 1. ALL DIMENSIONS ARE FOR REFERENCE ONLY.<br>2. DIMENSIONS IN BRACKETS [ ] ARE IN METRIC UNITS. | DESCRIPTION: <b>HIMEL REPLACEMENT HANDLE W/PUSH BUTTON</b>  |                     |               |                                   |
| <b>REVISIONS</b>  | ORIGINAL PROJECT NO / ( ERN NO )<br>/ ( )   | SHEET NO:<br>1 OF 1 | REV. NO:<br>A | DRAWING NO:<br><b>WSD-AC04258</b> |
| <b>**</b> SEE ERN ( **** ) FOR APPROVAL SIGNATURES & RELEASE DATE.<br>PROJECT NO: ****          |   |                     |               |                                   |