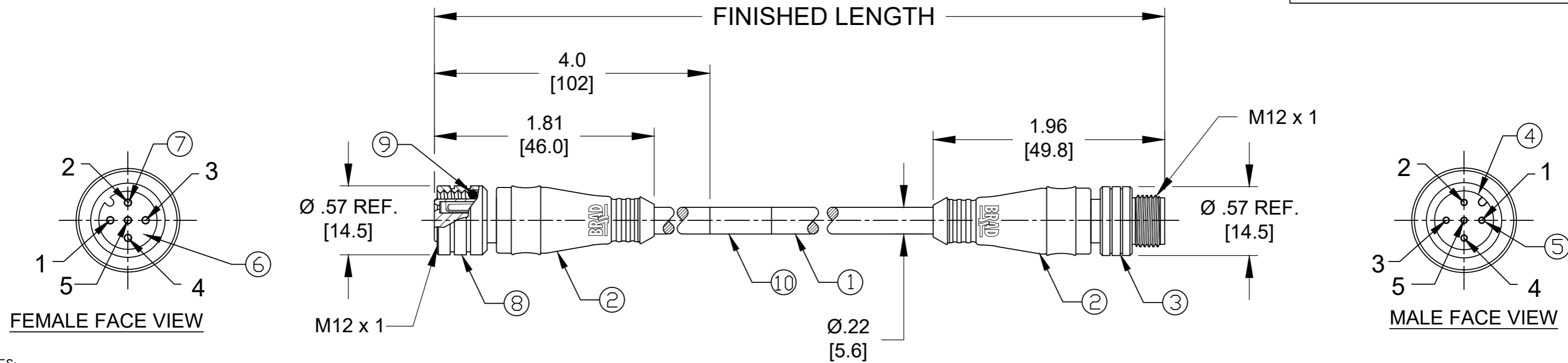


PART NUMBER	ENGINEERING NUMBER	FINISHED LENGTH
1200660426	885030A09M006	1' 11.6" [.6M]
1200660427	885030A09M010	3' 3" [1M]
1200660429	885030A09M020	6' 7" [2M]
1200660431	885030A09M030	9' 10" [3M]
1200660440	885030A09M100	32' 10" [10M]

④ CABLE LENGTH TOLERANCES

<.3M [1FT]:	+19mm-0 [+ .75in-0]
.3 - .9M [1 - 3FT]:	+44.5mm-0 [+1.75in-0]
.9 - 1.8M [3 - 6FT]:	+55.6mm-0 [+2.19in-0]
1.8 - 3.7M [6 - 12FT]:	+88.9mm-0 [+3.50in-0]
3.7 - 7.3M [12 - 24FT]:	+165.1mm-0 [+6.50in-0]
7.3-14.6M [24 - 48FT]:	+317.5mm-0 [+12.50in-0]
14.6 - 30.5M [48-100FT]:	+622.3mm-0 [+24.50in-0]
OVER 30M [100FT]	+2% OF FINISHED LENGTH



- NOTES:
1. MATERIAL: SEE BOM TABLE
 2. FINISHES: SEE BOM TABLE
 3. ELECTRICAL DATA:
MAX. VOLTAGE: 250V AC/DC
MAX. CURRENT 4A
 4. ENVIRONMENTAL:
PROTECTION IP67 (WHEN MATED)
TEMPERATURE RANGE: -20°C TO 105°C
 5. DIMS SHOWN ARE FOR REFERENCE UNLESS TOLERANCED OR NOTED OTHERWISE

885030A09M006

CABLE LENGTH
M006----.6 Meters
M010----1 Meter
M100----10 Meter

WIRING DIAGRAM

1	BROWN	1
2	WHITE	2
3	BLUE	3
4	BLACK	4
5	GRAY	5

ITEM	DESCRIPTION	MATERIAL	FINISH
10	LABEL	VINYL	BLACK/YELLOW
9	O-RING	VITON	RED
8	M12 COUPLING NUT, FEMALE	BRASS	NICKEL PLATED
7	CONTACT SOCKET	COPPER ALLOY	GOLD PLATED
6	FEMALE INSERT	PUR	BLACK
5	CONTACT PIN	COPPER ALLOY	GOLD PLATED
4	MALE INSERT	PUR	BLACK
3	M12 COUPLING NUT, MALE	BRASS	NICKEL PLATED
2	OVERMOLDS	PUR	YELLOW
1	CABLE, 5P, 22AWG	PVC JACKET	YELLOW

FUNCTIONAL SYMBOLS	THIS DRAWING CONTAINS INFORMATION THAT IS PROPRIETARY TO MOLEX ELECTRONIC TECHNOLOGIES, LLC AND SHOULD NOT BE USED WITHOUT WRITTEN PERMISSION		
	DIMENSION UNITS	SCALE	CURRENT REV DESC: CORRECT BOM TABLE FOR O-MOLD MAT & COLOR, CABLE DESCRIPTION & COLOR, INSERTS WERE NYLON, COUPLING NUTS WERE ZINC DIE-CAST-BLACK, ADD O-RING, UPDATED NOTES, ADD CABLE LENGTH TOLS.
DIVISIONAL SYMBOLS	INCH/MM	1:1	EC NO: 652340
	GENERAL TOLERANCES (UNLESS SPECIFIED)		DRWN: RSTONE 2021/01/04
DRAFT WHERE APPLICABLE MUST REMAIN WITHIN DIMENSIONS	4 PLACES	±----	CHK'D: CCHRSTKA 2021/01/06
	3 PLACES	±----	APPR: BWOODMAN 2021/01/09
	2 PLACES	±----	INITIAL REVISION:
	1 PLACE	±----	DRWN: LHARTMAN 2009/07/28
0 PLACES	±----	APPR: JFMURPHY 2009/08/10	
ANGULAR TOL ± 0.5°	THIRD ANGLE PROJECTION		DOCUMENT NUMBER
DRAWING		SERIES	DOC TYPE/DOC PART/REVISION
B-SIZE		120066	SD-120066-007 PSD 001 D
MATERIAL NUMBER		CUSTOMER	SHEET NUMBER
SEE P/N CHART		GENERAL MARKET	1 OF 1