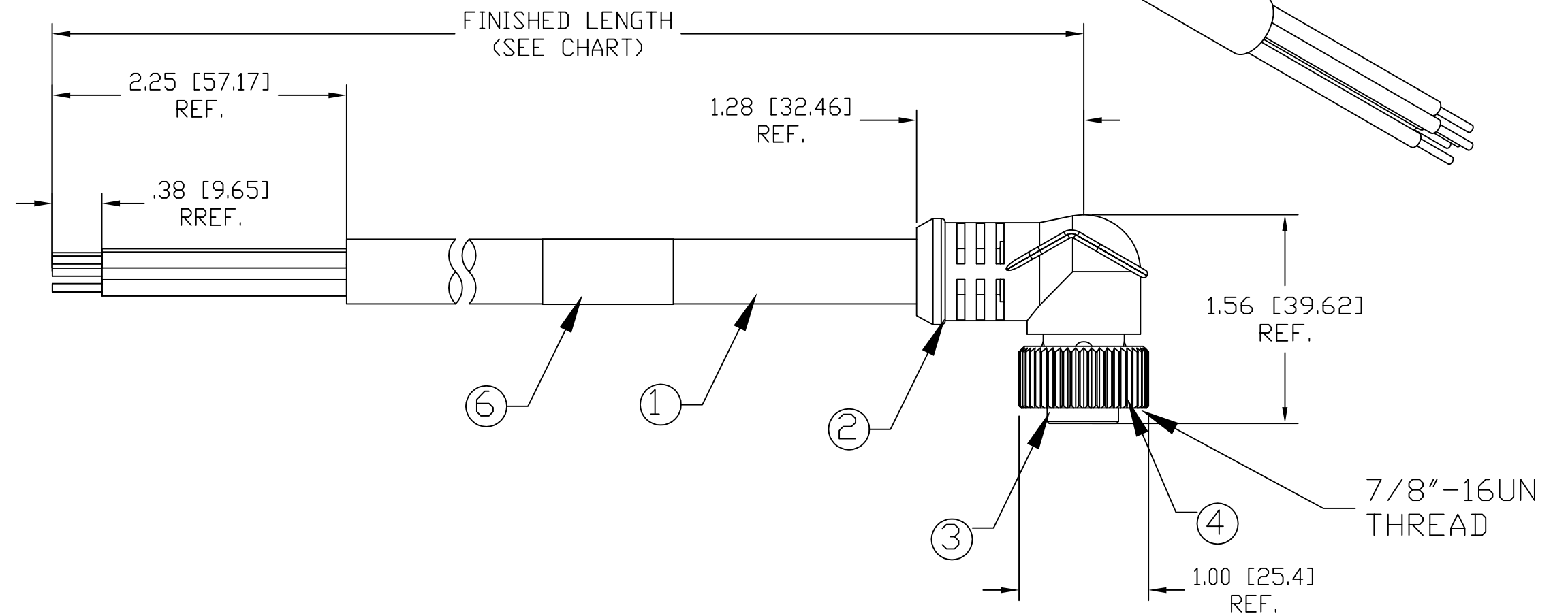
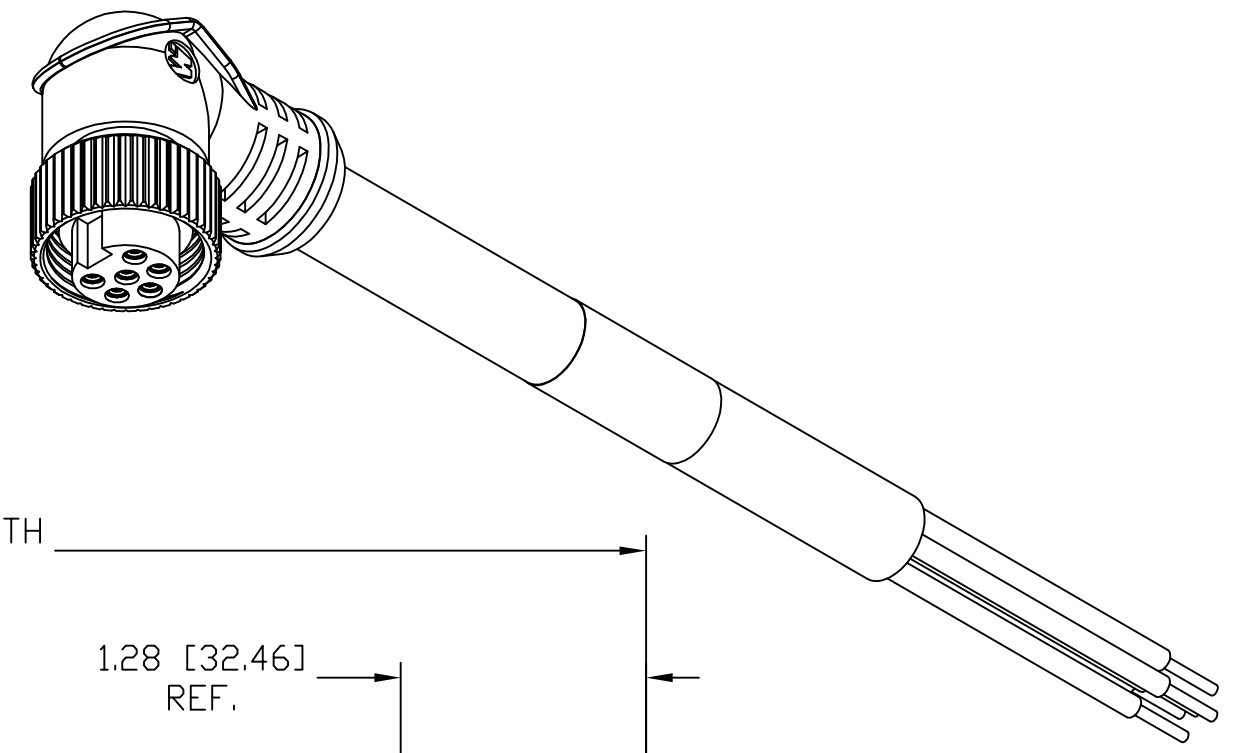
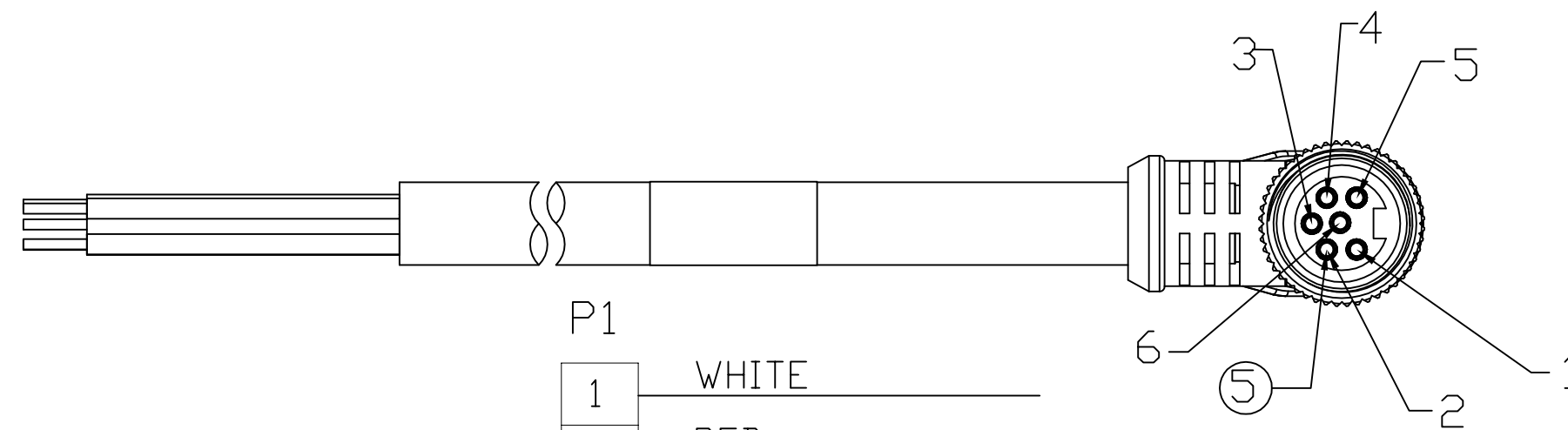


13	12	11	10	9	8	7	6	5	4	3	2	1
PART NUMBER	ENGINEERING NUMBER	FINISH LENGTH										
1300061651	106001A01F030	3.00' +1.75" -0 [0.9M +44.5 -0]										
1300061653	106001A01F060	6.00' +3.50" -0 [1.8M +88.9 -0]										
1300061656	106001A01F120	12.00' +6.50" -0 [3.7M +165.1 -0]										
1300061661	106001A01F200	20.00' +6.50" -0 [6.1M +165.1 -0]										



NOTE

- 1) MATERIAL: SEE TABLE
- 2) FINISHES: SEE TABLE
- 3) WRAP LABEL IS MARKED WITH P/N, DATE CODE, VOLTAGE & AMPERAGE
- 4) MATES WITH: MINI CHANGE, 6 POLE RECEPTACLE
- 5) ELECTRICAL DATA:
 INLINE CORDSET
 FEMALE A-SIZE WITH FLYING LEADS
 16AWG UNSHIELDED
 POLES: 6
 MAX. VOLTAGE: 600V
 MAX. CURRENT 8A
 PROTECTION IP67
 TEMPERATURE RANGE: -20°C TO 105°C
- 6) PACKAGING:
 CABLE ASSEMBLIES ARE BAGGED SEPERATELY
 IN POLY BAGS WITH BAR CODE LABEL ATTACHED
 TO OUTSIDE OF BAG.
- 7) ASSEMBLY IS RoHS COMPLIANT.
- 8) CERTIFICATION
 UL RECOGNIZED, FILE NO. E152210
 CSA CERTIFIED, FILE NO. LR6837



P1

1	WHITE
2	RED
3	GREEN GRD
4	ORANGE
5	BLACK
6	BLUE

FEMALE FACE VIEW

WIRING DIAGRAM

ITEM	QTY.	DESCRIPTION	MATERIAL	FINISH
6	1	LABEL	PLASTIC FILM	BLACK/YELLOW
5	6	CONTACT SOCKET	COPPER ALLOY	GOLD PLATED
4	1	INSERT	PVC	YELLOW
3	1	COUPLING NUT	ZINC DIE CAST	BLACKE-COATED
2	1	OVERMOLD	PVC	YELLOW
1	1	CABLE, 16AWG-6 TYPE STOOD	PVC	YELLOW

RELEASE EC NO: WNA2010-0070 DRWN: TWOLDEGE 7/30/09 CH'KD: BWOODMAN APPR: JFMURPHY 2009/08/10	DESCRIPTION REV	QUALITY SYMBOL	GENERAL TOLERANCES (UNLESS SPECIFIED)	DIMENSION STYLE	SCALE	DESIGN UNITS	THIRD ANGLE PROJECTION										
		$\nabla=0$ $\sphericalangle=0$	<table border="1"> <tr><th>mm</th><th>INCH</th></tr> <tr><td>4 PLACES</td><td>±----</td></tr> <tr><td>3 PLACES</td><td>±.005</td></tr> <tr><td>2 PLACES</td><td>±.013</td></tr> <tr><td>1 PLACE</td><td>±.025</td></tr> </table>	mm	INCH	4 PLACES	±----	3 PLACES	±.005	2 PLACES	±.013	1 PLACE	±.025	IN/MM	1:1	INCH	
		mm	INCH														
		4 PLACES	±----														
3 PLACES	±.005																
2 PLACES	±.013																
1 PLACE	±.025																
	ANGULAR ±1/2°	DRAWN BY DATE	TITLE	MOLEX INCORPORATED													
	DRAFT WHERE APPLICABLE MUST REMAIN WITHIN DIMENSIONS	TWOLDEGE 2009/07/30	MINI CHANGE ASSEMBLY 6-POLE FEMALE 90D 16/6AWG PVC	MATERIAL NO. SEE CHART													
		BWOODMAN 2009/07/30		DOCUMENT NO. SD-130006-018													
		APPROVED BY DATE		SHEET NO. 1 OF 1													
				THIS DRAWING CONTAINS INFORMATION THAT IS PROPRIETARY TO MOLEX INCORPORATED AND SHOULD NOT BE USED WITHOUT WRITTEN PERMISSION													