

MATERIAL NO.	ENGINEERING NO.	FINISHED LENGTH
1300100147	112020A01F060	6 FT. (1.82 M)
1300100152	112020A01F120	12 FT. (3.65 M)
1300100159	112020A01F200	20 FT. (6.09 M)

**CABLE LENGTH TOLERANCES**

<.3M [1FT]: +19mm-0 [ +.75in-0]

.3 - .9M [1 - 3FT]: +44.5mm-0 [+1.75in-0]

.9 - 1.8M [3 - 6FT]: +55.6mm-0 [+2.19in-0]

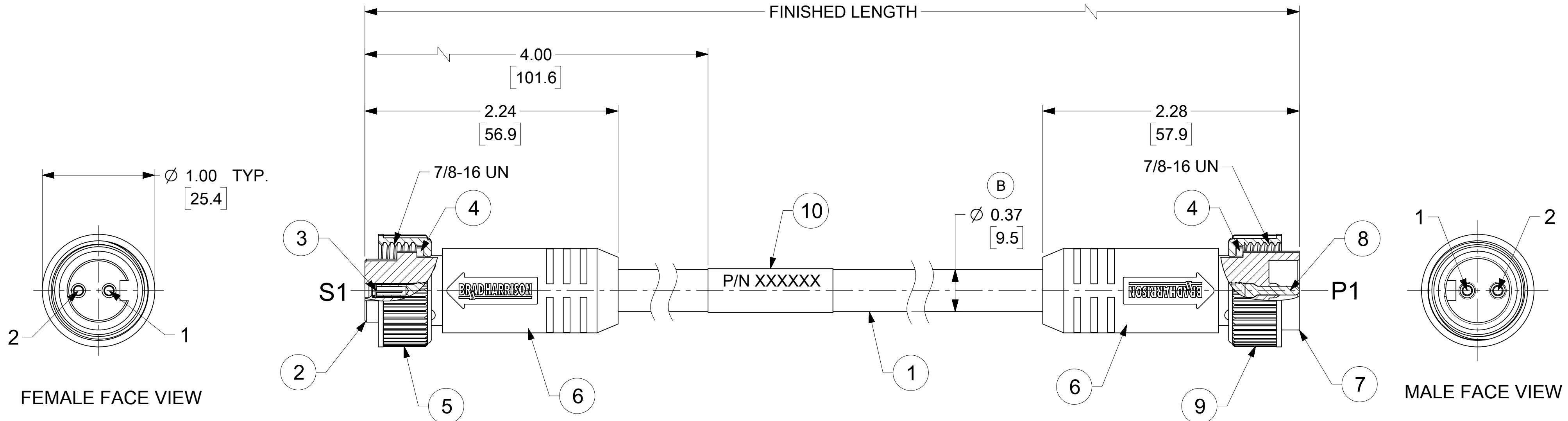
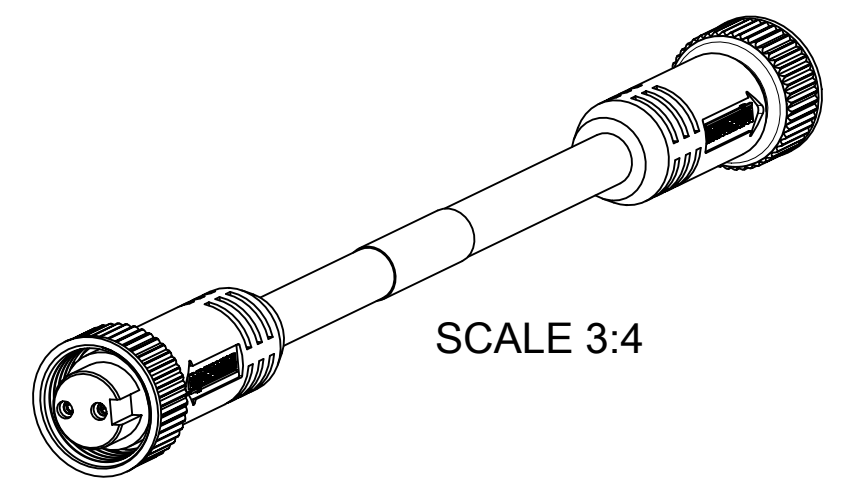
1.8 - 3.7M [6 - 12FT]: +88.9mm-0 [+3.50in-0]

3.7 - 7.3M [12 - 24FT]: +165.1mm-0 [+6.50in-0]

7.3-14.6M [24 - 48FT]: +317.5mm-0 [+12.50in-0]

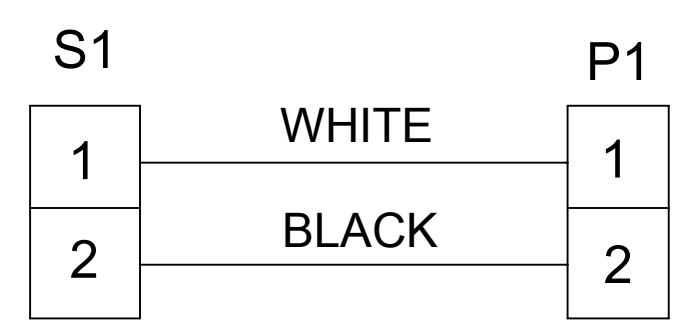
14.6 - 30.5M [48-100FT]: +622.3mm-0 [+24.50in-0]

OVER 30M [100FT] +2% OF FINISHED LENGTH



- NOTES:**
- MATERIAL: AS NOTED
  - FINISH: AS NOTED
  - ELECTRICAL:
    - VOLTAGE: 500V PER IEC60664 (B)
    - 600V PER UL2238
    - CURRENT: 13A
  - TEMP RATING: -20°C TO +105°C
  - PROTECTION: IP67 (WHEN MATED)
  - CSA CERTIFIED FILE: LR6837 (B)
  - UL RECOGNIZED FILE: E152210 (B)
  - ASSEMBLY IS ROHS COMPLIANT
  - ALL DIMS ARE FOR REFERENCE UNLESS TOLERANCED OR NOTED OTHERWISE

**WIRING DIAGRAM**



**PART NUMBER MATRIX (B)**

112020A01F060

FINISHED LENGTH  
 F001= .1 FT  
 F020= 2 FT  
 F200= 20 FT

ITEM	DESCRIPTION	MATERIAL	FINISH
10	WRAP LABEL	VINYL	BLACK/YELLOW (B)
9	MALE COUPLING NUT	ZINC DIE-CAST	BLACK E-COAT
8	PIN CONTACT	Cu ALLOY	GOLD OVER NICKEL
7	MALE INSERT	TPE	YELLOW (B)
6	OVERMOLD	TPE	YELLOW (B)
5	FEMALE COUPLING NUT	ZINC DIE-CAST	BLACK E-COAT
4	FRICTION RING	NYLON	NATURAL
3	SOCKET CONTACT	Cu ALLOY	GOLD OVER NICKEL
2	FEMALE INSERT	TPE	YELLOW (B)
1	CABLE, ST00W/ST #16-2	PVC JACKET	YELLOW (B)

FUNCTIONAL SYMBOLS	THIS DRAWING CONTAINS INFORMATION THAT IS PROPRIETARY TO MOLEX ELECTRONIC TECHNOLOGIES, LLC AND SHOULD NOT BE USED WITHOUT WRITTEN PERMISSION			
	DIMENSION UNITS	SCALE	CURRENT REV DESC: UPDATED ITEM #2,6,7,10 & DIA., ADDED CSA, UL, IEC VOLT, TOL. CHART & PART NO. MATRIX. MODIFIED PN CHART	
	INCH/MM	2:1		
	GENERAL TOLERANCES (UNLESS SPECIFIED)			
DIVISIONAL SYMBOLS	4 PLACES	±	MM	INCH
	3 PLACES	±	± 0.005	
	2 PLACES	±	± 0.01	
	1 PLACE	±	± 0.02	
	0 PLACES	±	±	
ANGULAR TOL		± 0.5 °		
DRAFT WHERE APPLICABLE MUST REMAIN WITHIN DIMENSIONS		THIRD ANGLE PROJECTION	DRAWING	SERIES
			C-SIZE	130010

EC NO: 673727			
DRWN: VHANDI	2021/05/27		
CHK'D: RSTONE	2021/08/26		
APPR: BWOODMAN	2021/08/27		
INITIAL REVISION:			
DRWN: LHARTMANN	2009/06/17		
APPR: JFMURPHY	2009/08/14		
DOCUMENT NUMBER		DOC TYPE	DOC PART
SD-130010-003		PSD	001
MATERIAL NUMBER		CUSTOMER	SHEET NUMBER
SEE TABLE		GENERAL MARKET	1 OF 1

**molex**

MINI-CHANGE CORDSET, A SIZE, 2 POLE MALE-FEMALE, STRAIGHT, SINGLE KEY, 16 AWG

PRODUCT CUSTOMER DRAWING