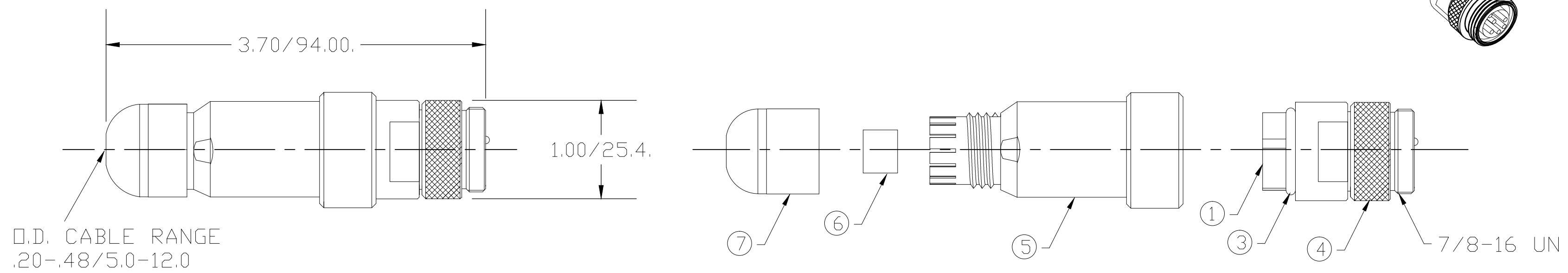
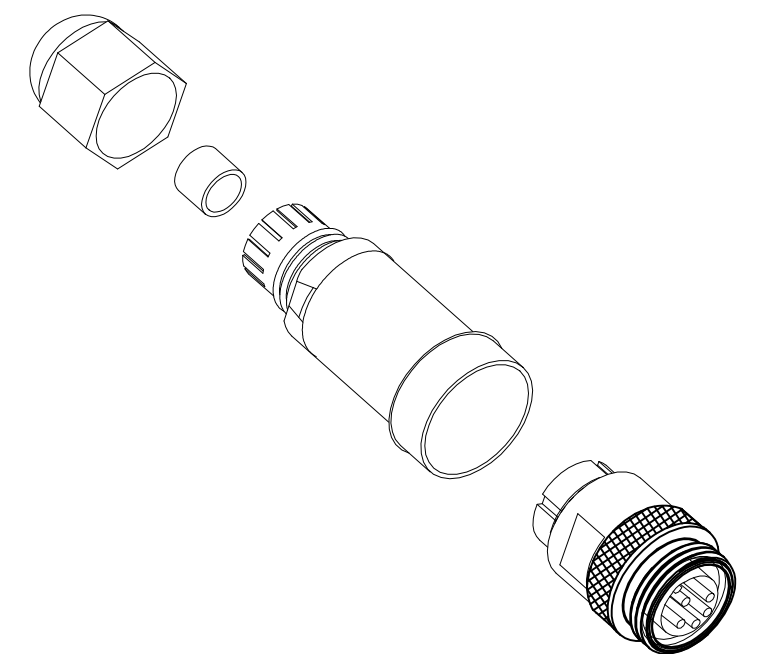
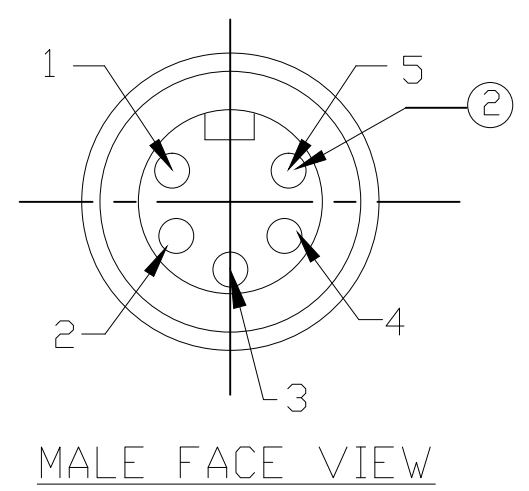


MATERIAL NUMBER	ENGINEERING PART NUMBER
1300340006	1A5006-34DN



- NOTES: (B)**
1. MATERIAL: AS NOTED
  2. FINISH: AS NOTED
  3. ELECTRICAL:  
VOLTAGE RATING PER IEC 60664: 400V  
VOLTAGE RATING PER UL: 600V  
CURRENT: 8A
  4. TEMP RATING: -20° TO +80°C
  5. PROTECTION: IP67 (WHEN MATED)
  6. COUPLING THREAD: 7/8-16- AS NOTED
  7. AGENCY:  
CSA CERTIFICATION FILE: LR6837
  8. ALL DIMS ARE FOR REFERENCE UNLESS NOTED OTHERWISE



WIRING CHART

1	DRAIN
2	RED
3	BLACK
4	WHITE
5	BLUE

ITEM	COMPONENT	MATERIAL	FINISH
1	INSERT	NYLON	BLACK
2	PIN CONTACTS	COPPER ALLOY	GOLD PLATED
3	O-RING	NITRILE	BLACK
4	COUPLING NUT	BRASS	NICKEL PLATED
5	MOLDED BODY	NYLON	BLACK
6	GROMMET	NITRILE	BLACK
7	CORD GRIP BODY	NYLON	BLACK

UPDATE NOTES EC NO: IPG2018-0109 DRWN: AAKHTAR 2017/08/10 CHKD: RSTONE 2017/08/11 APPR: BWOODMAN2009/08/26	QUALITY SYMBOL ▽=0 ▽=0	GENERAL TOLERANCES (UNLESS SPECIFIED)		DIMENSION STYLE IN/MM		SCALE	DESIGN UNITS	THIRD ANGLE PROJECTION			
						----	INCH				
						DRAWN BY DATE		TITLE			
						TWOEDEGE 2009/08/25		MINI CHANGE ATTACHABLE 5-POLE MALE ST D-NET .20"-.48" CABLE RANGE			
				CHECKED BY DATE		MOLEX INCORPORATED					
				BWOODMAN 2009/08/25		MATERIAL NO. 1300340006					
				APPROVED BY DATE		DOCUMENT NO. SD-130034-002					
				JFMURPHY 2009/08/26		SHEET NO. 1 OF 1					
				ANGULAR ±1/2°		THIS DRAWING CONTAINS INFORMATION THAT IS PROPRIETARY TO MOLEX INCORPORATED AND SHOULD NOT BE USED WITHOUT WRITTEN PERMISSION					
				DRAFT WHERE APPLICABLE MUST REMAIN WITHIN DIMENSIONS							