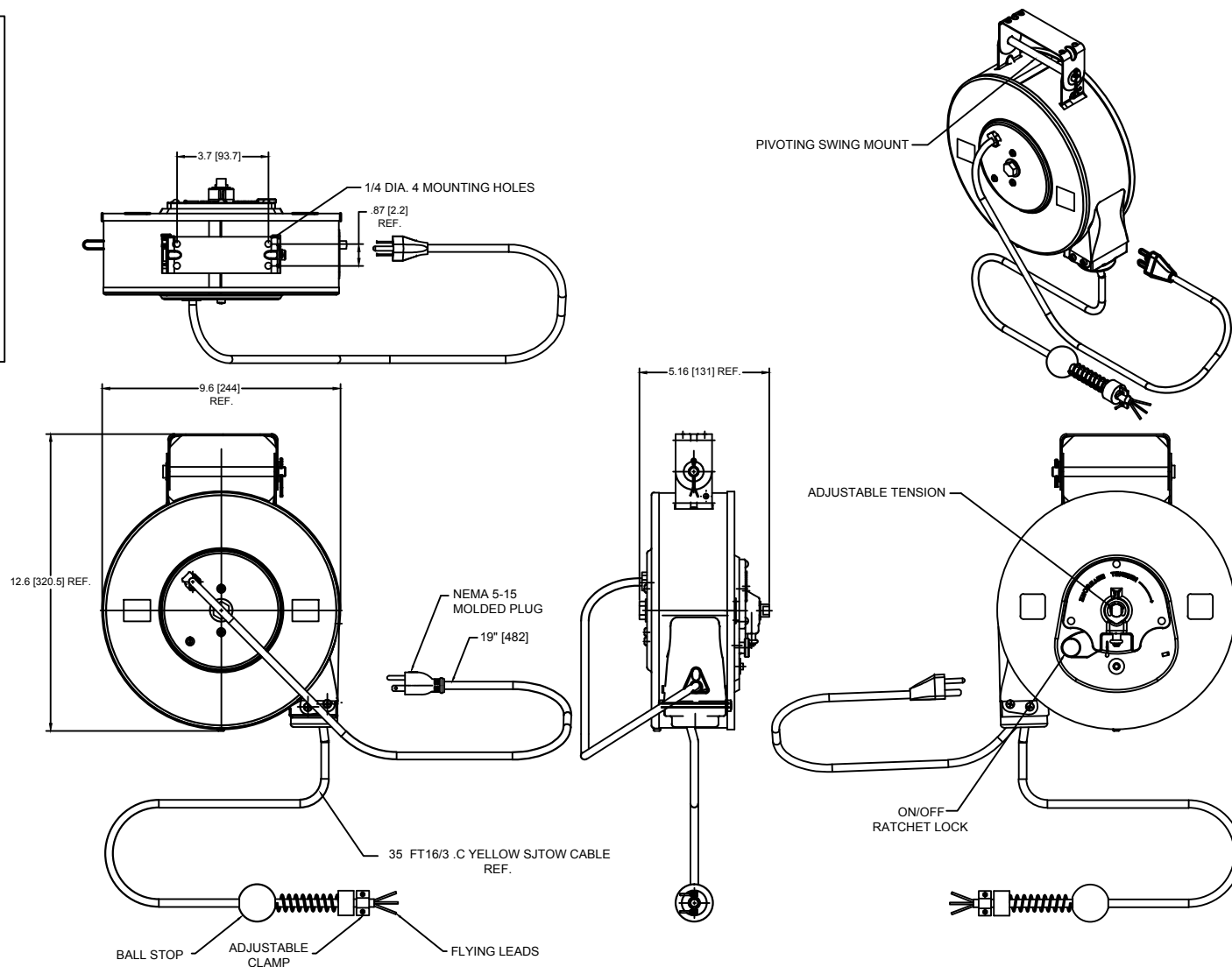


ORDER NO.	130090-0009
WOODHEAD ENG. NO.	945-3
WIRE GAUGE	16
CONDUCTORS	3
AMPERAGE	6A
CORD LENGTH	35 FT [10.67 M]
CORD TYPE	SJTOW
CONSTRUCTION	SHEET METAL
PAINT	YELLOW POWDER COAT
REEL ENCLOSURE RATING	INDOOR
RETRACTION WEIGHT	2.5 LB [1.13 KG]



- NOTES:
1. CABLE GUIDE IS NOT ADJUSTABLE
 2. ON/OFF RATCHET LOCK
 3. RATCHET LOCK IS EASY TO DISENGAGE FOR CONSTANT TENSION.
 4. BALL STOP INCLUDED

RELEASE SALES DRAWINGS EC NO: WNA2012-0035 DRWN: MCHOJECK 2011/07/18 CHKD: DT APPR: DTITUS 2011/09/02	QUALITY SYMBOLS	GENERAL TOLERANCES (UNLESS SPECIFIED)		DIMENSION STYLE	SCALE	DESIGN UNITS	THIRD ANGLE PROJECTION	
	$\nabla = 0$ $\sphericalangle = 0$	mm	INCH	IN/MM	NTS	INCH		
		4 PLACES ±---	±---	DRAWN BY DATE	TITLE			
		3 PLACES ±---	±.005	MCHOJECK 2011/07/18	FULLY ENCLOSED ELECTRIC REEL - MEDIUM DUTY W/35' 16/3 CABLE			
	2 PLACES ±0.13	±0.10	CHECKED BY DATE	MOLEX MOLEX INCORPORATED				
	1 PLACE ±0.25	±0.020	DT 2011/07/18	MATERIAL NO. 1300900009				
	ANGULAR ±1/2°		APPROVED BY DATE	DOCUMENT NO.		SHEET NO.		
	DRAFT WHERE APPLICABLE MUST REMAIN WITHIN DIMENSIONS		DTITUS 2011/09/02	SD-130090-001		1 OF 1		
			SIZE A	THIS DRAWING CONTAINS INFORMATION THAT IS PROPRIETARY TO MOLEX INCORPORATED AND SHOULD NOT BE USED WITHOUT WRITTEN PERMISSION				