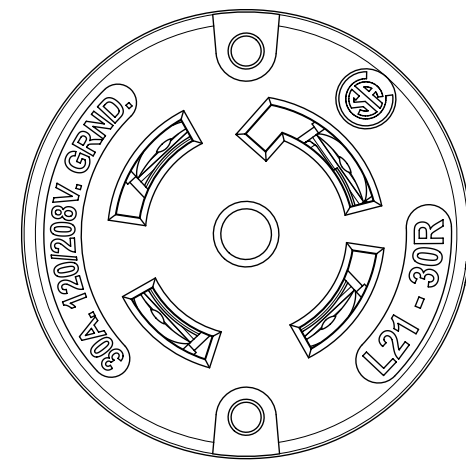
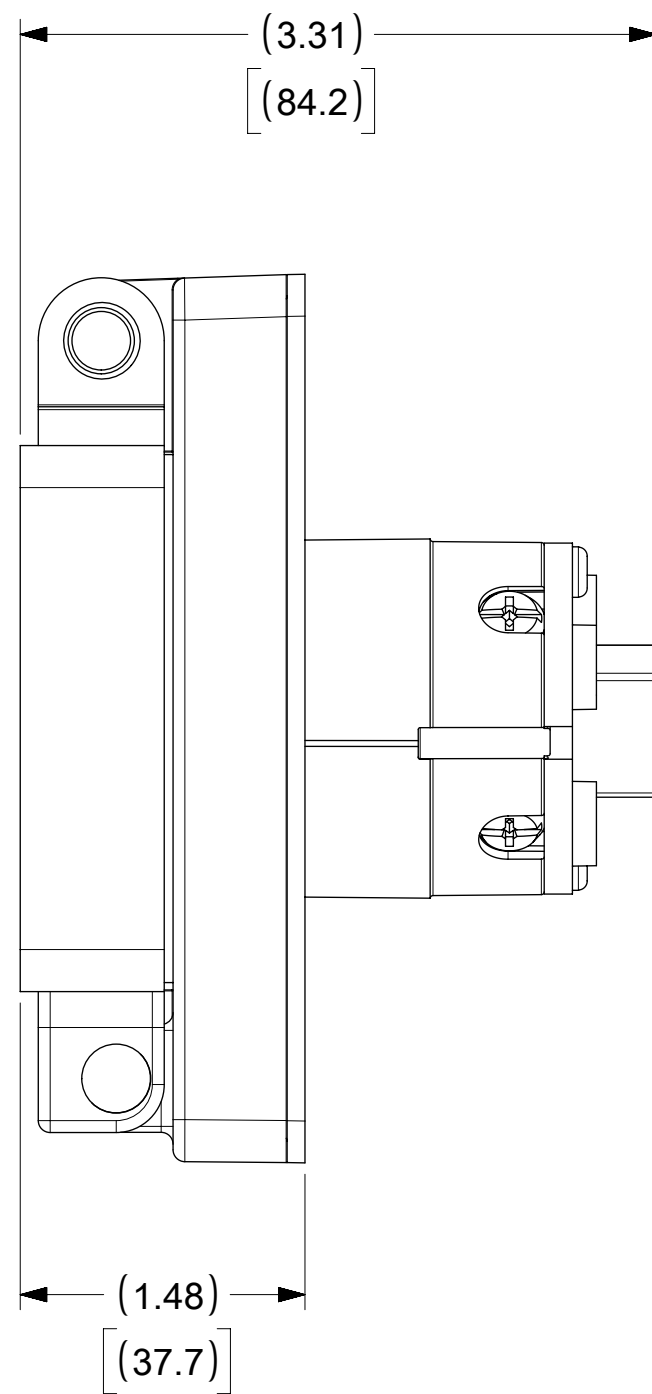
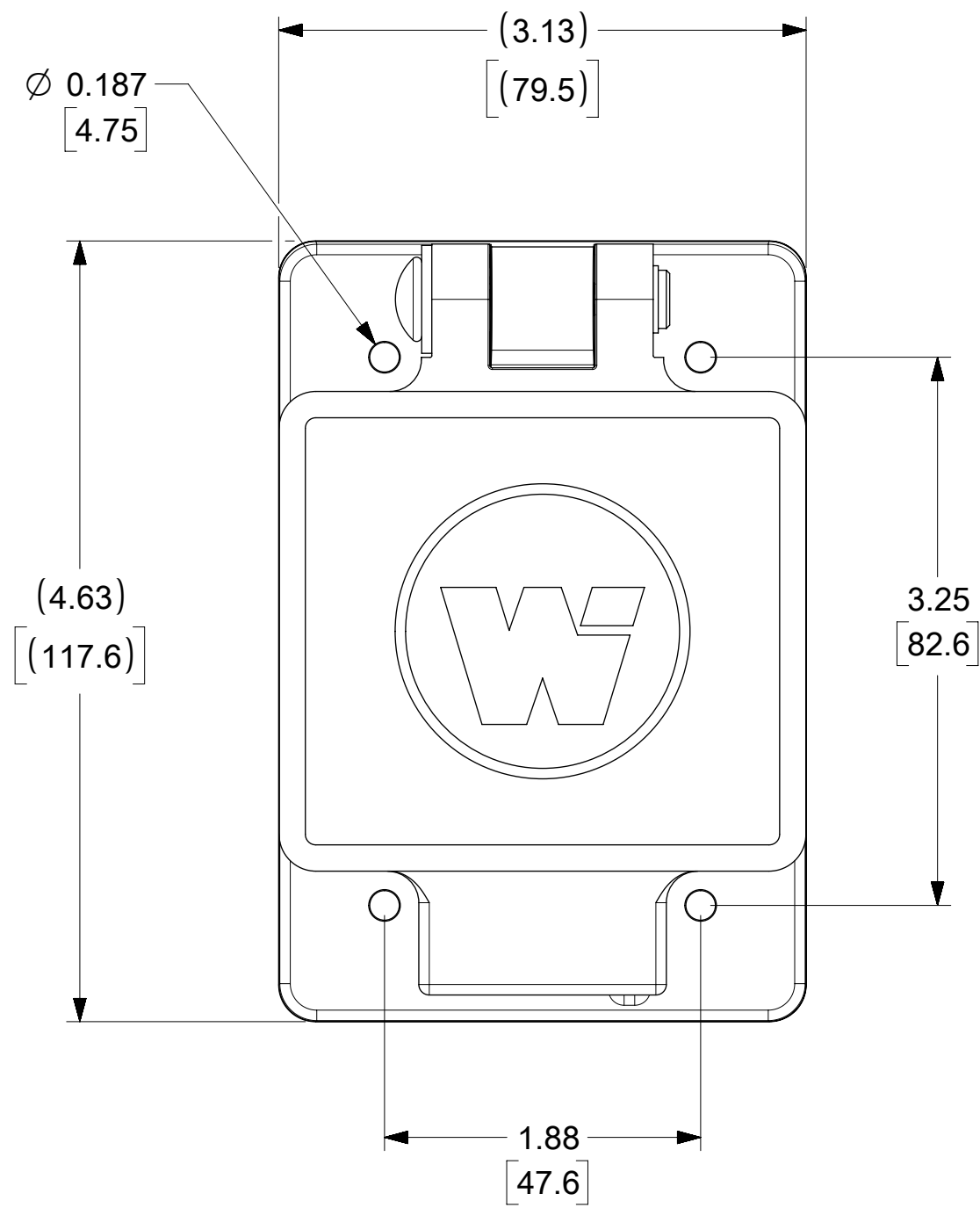
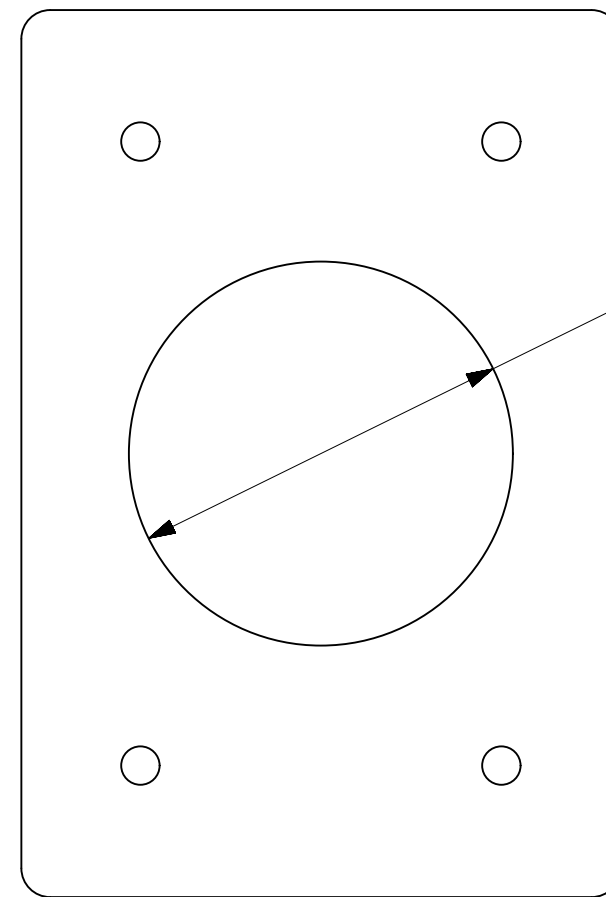
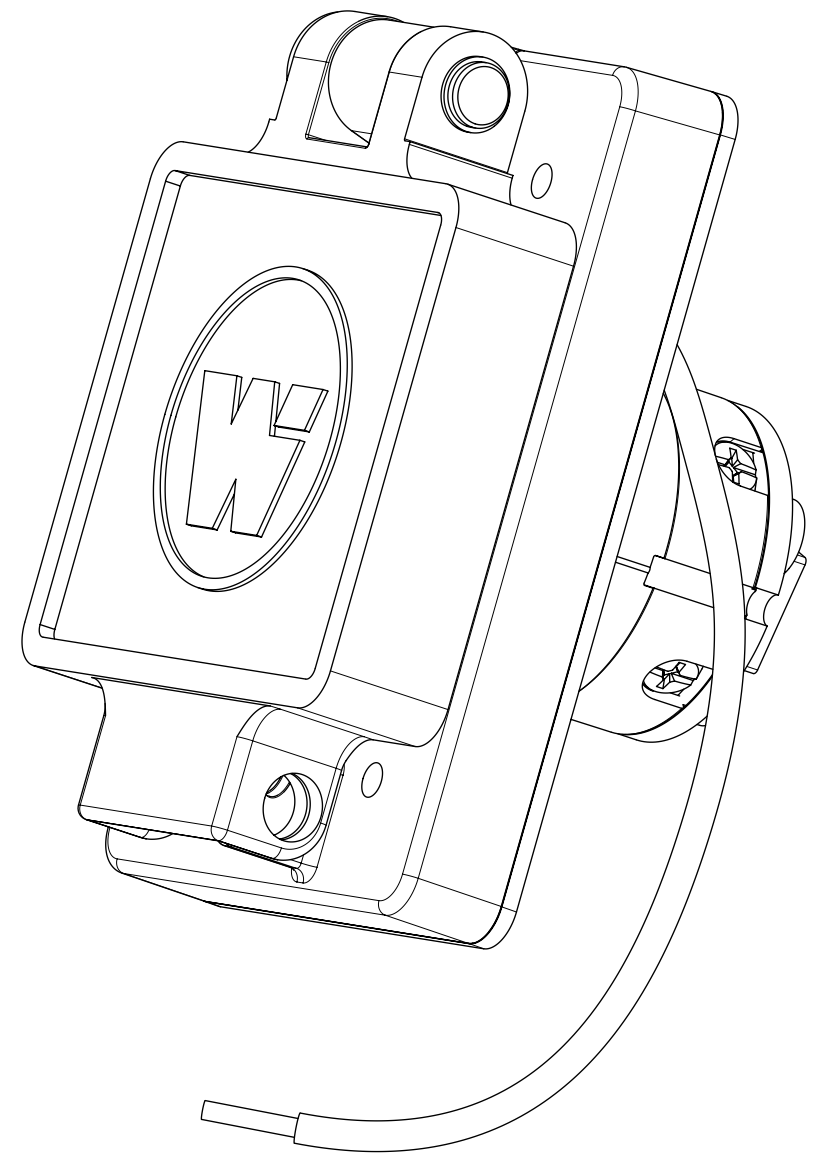


ORDER NO.	WOODHEAD NO.	COLOR
130147-0177	69W81	YELLOW



FACE VIEW



CLEARANCE HOLE
(FOR PANEL MOUNT)

DESCRIPTION	MATERIAL	QTY.
BLADES	BRASS, NICKEL PLATED	3
RETAINING SCREWS	STAINLESS STEEL	3
CLAMP AND TERMINAL SCREW ASSY.	BRASS, ZINC PLATED	3
FEMALE INSERT	NYLON	1
TERMINAL COVER	POLYCARBONATE	1
COVER ASSEMBLY	POLYCARBONATE, STAINLESS STEEL, ALUMINUM	1
GASKET FLIP	NEOPRENE	1
SUPPORT PLATE	STAINLESS STEEL	1
SCREW (GROUND WIRE)	STAINLESS STEEL	1
JUMPER WIRE ASSY	COPPER, BRASS (TINNED FINISH)	1

THIS DRAWING CONTAINS INFORMATION THAT IS PROPRIETARY TO MOLEX ELECTRONIC TECHNOLOGIES, LLC AND SHOULD NOT BE USED WITHOUT WRITTEN PERMISSION									
SYMBOLS		DIMENSION UNITS		SCALE		CURRENT REV DESC: MIGRATE TO ECTR/NX			
▽ = 0	INCH	[MM]	NTS			molex WATERTITE FS/FD COVER 4P5W L21-30 PRODUCT CUSTOMER DRAWING			
▽ = 0	GENERAL TOLERANCES (UNLESS SPECIFIED)				EC NO: 614004 DRWN: SRPATIL 2018/12/27 CHK'D: DNGUYEN62 2019/03/19 APPR: HKNEELAND 2019/03/22				
▽ = 0	4 PLACES	±	MM	±	INCH	INITIAL REVISION: DRWN: SRPATIL 2018/12/27 APPR: HKNEELAND 2019/03/22			
▽ = 0	3 PLACES	±			DOCUMENT NUMBER: 1301470177 DOC TYPE: PSD DOC PART: 000 REVISION: A				
▽ = 0	2 PLACES	±			MATERIAL NUMBER: SEE TABLE CUSTOMER: GENERAL MARKET SHEET NUMBER: 1 OF 1				
▽ = 0	1 PLACE	±			THIRD ANGLE PROJECTION DRAWING: C-SIZE SERIES: 130147				
▽ = 0	0 PLACES	±							
▽ = 0	ANGULAR TOL	±	°						
▽ = 0	DRAFT WHERE APPLICABLE MUST REMAIN WITHIN DIMENSIONS								