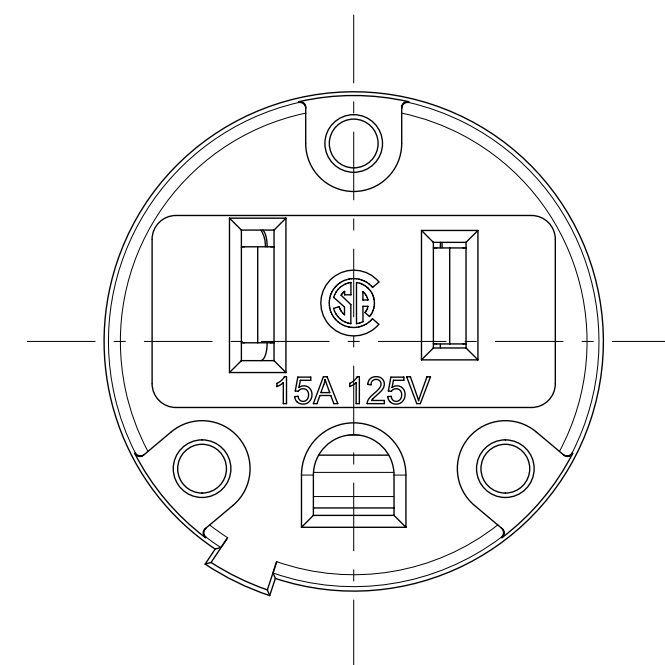
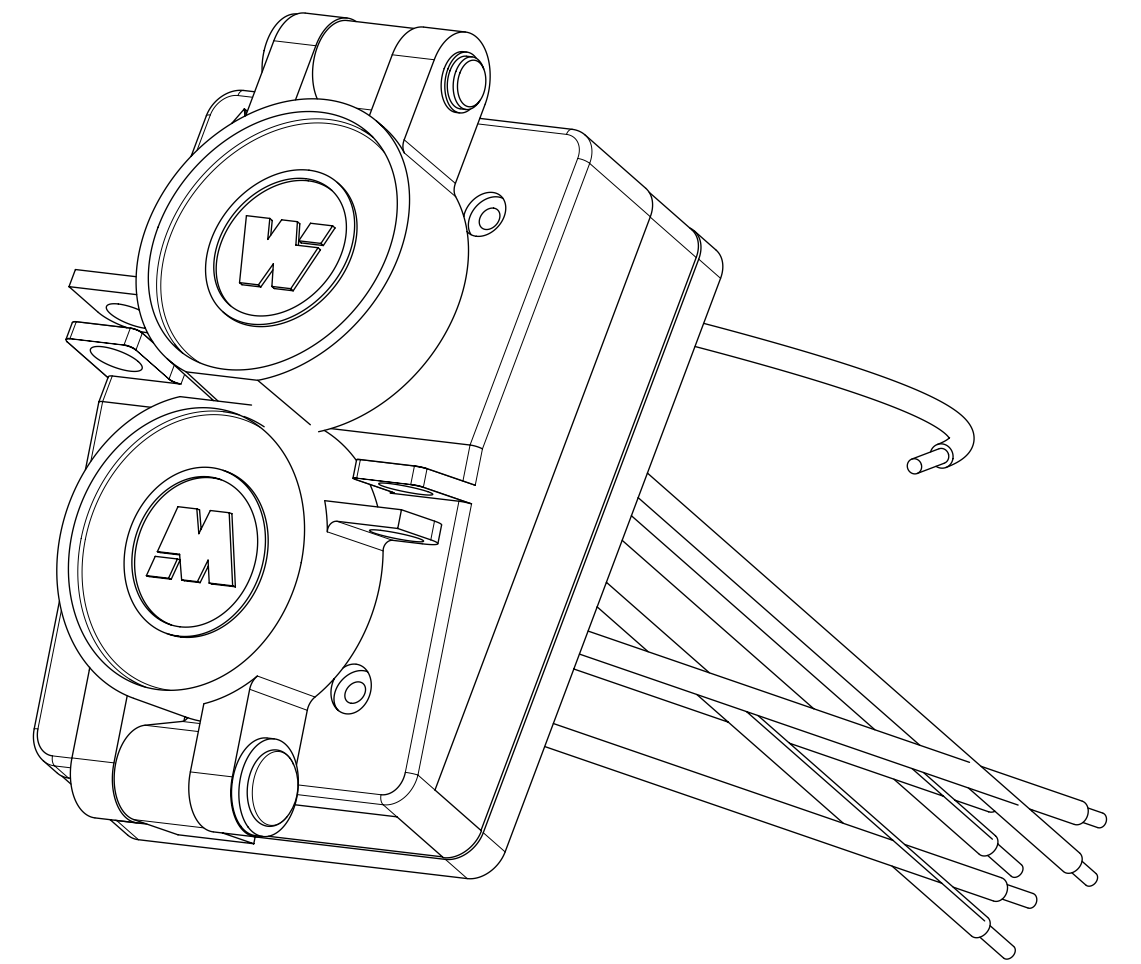
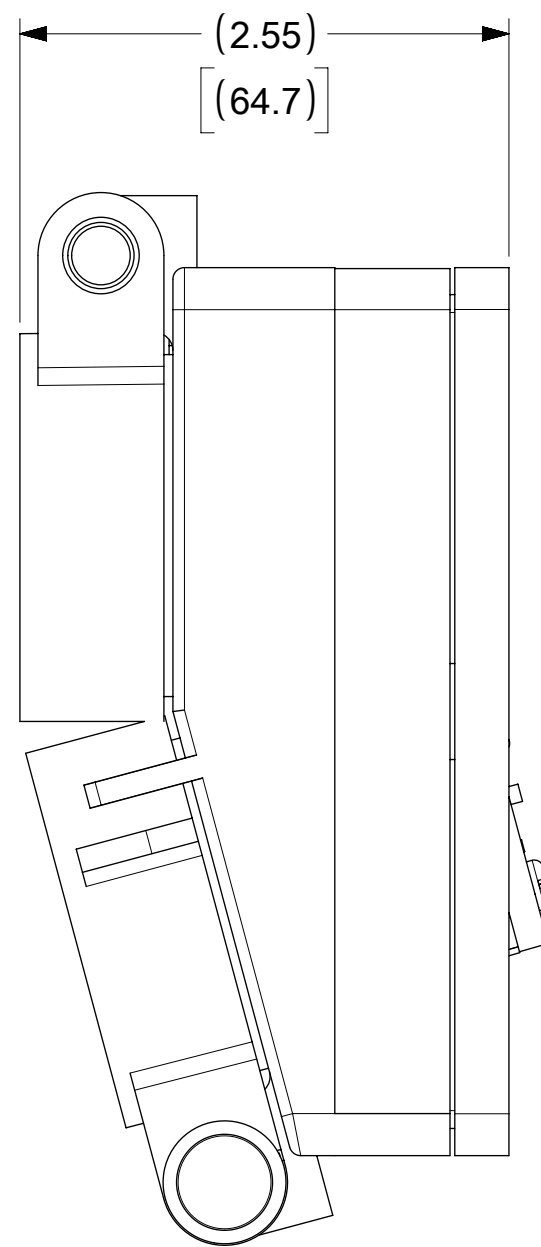
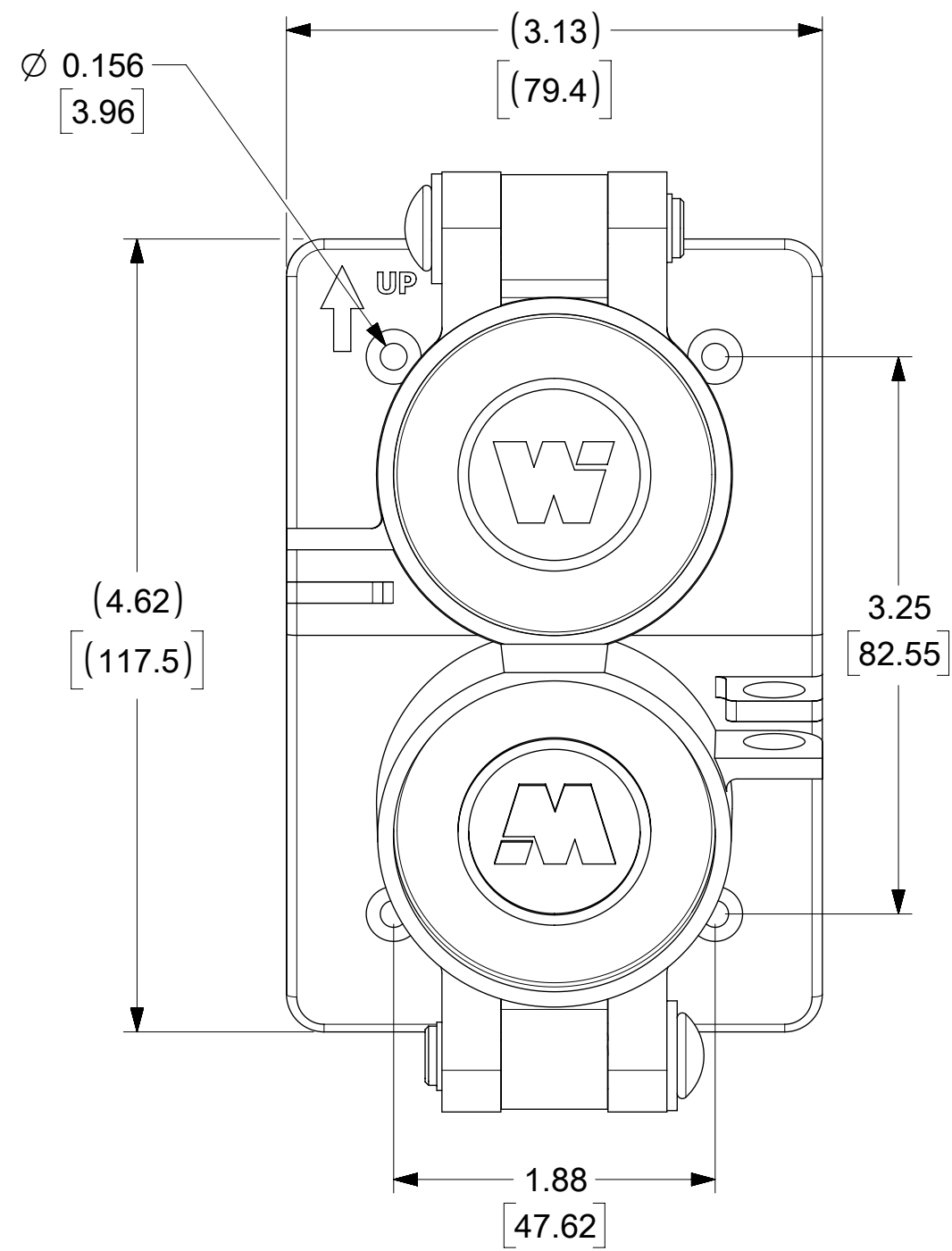
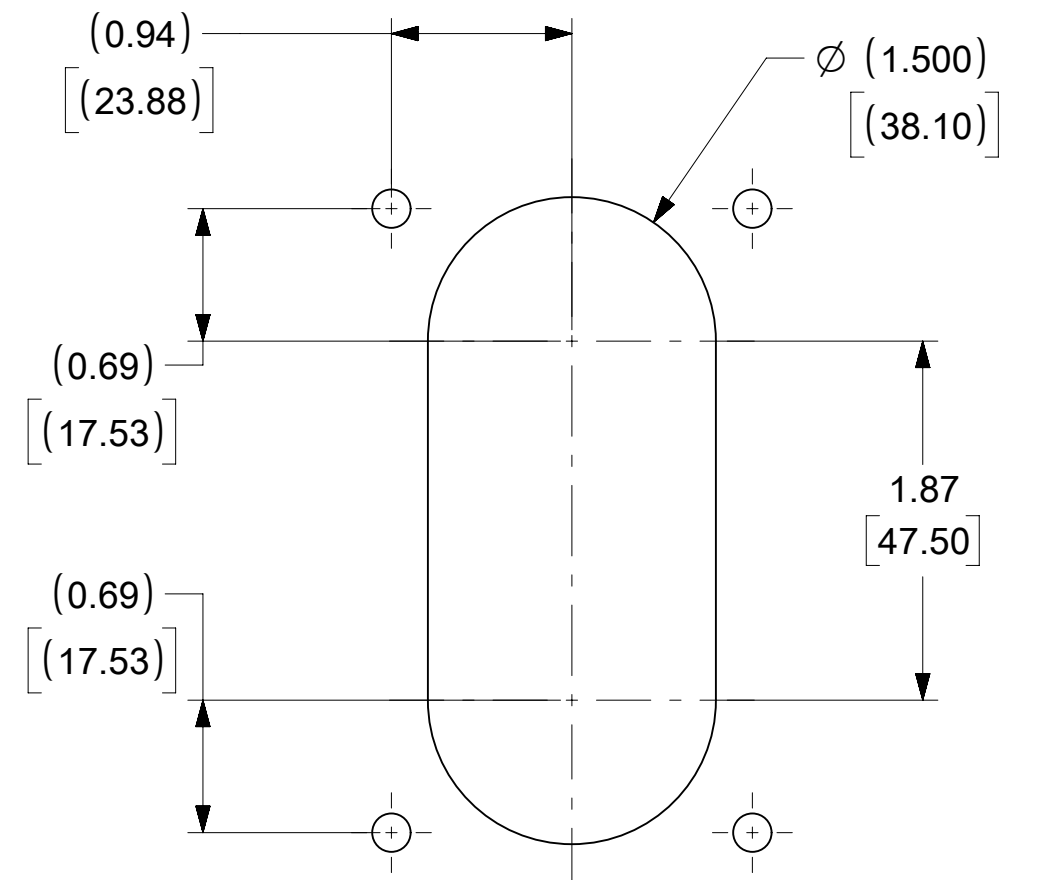


ORDER NO.	WOODHEAD NO.	COLOR
130146-0131	60W47DPLX	YELLOW



FACE VIEW



CLEARANCE HOLE (FOR PANEL MOUNT)

DESCRIPTION	MATERIAL	QTY.
RETAINING SCREWS	STAINLESS STEEL	6
INSERT ASSY	NYLON, BRASS, NICKEL & ZINC PLATED	2
GASKET	NEOPRENE	1
BASE PLATE	POLYCARBONATE	1
COVER FLIP LID	POLYCARBONATE	2
COVER PLATE	STAINLESS STEEL	1
SCREW (GROUND WIRE)	STAINLESS STEEL	1
FLAT WASHER	STAINLESS STEEL	2
RIVET	ALUMINUM	2
TORSION SPRING	STAINLESS STEEL WIRE	2
WASHER	STAINLESS STEEL	2
DOME PUSH CAP	STAINLESS STEEL	2
JUMPER WIRE ASSY	COPPER, BRASS (TINNED FINISH)	1
#12-1 BLACK WIRE	COPPER WIRE	2
#12-1 WHITE WIRE	COPPER WIRE	2
#12-1 GREEN WIRE	COPPER WIRE	2

THIS DRAWING CONTAINS INFORMATION THAT IS PROPRIETARY TO MOLEX ELECTRONIC TECHNOLOGIES, LLC AND SHOULD NOT BE USED WITHOUT WRITTEN PERMISSION											
SYMBOLS		DIMENSION UNITS		SCALE		CURRENT REV DESC: MIGRATE TO NX/ECTR					
▽ = 0		INCH[MM]		NTS		<b>molex</b> WATERTITE FD DOUBLE COVERPLATE 2P3W 5-15 PRODUCT CUSTOMER DRAWING DOCUMENT NUMBER: 1301460131   DOC TYPE: PSD   DOC PART: 000   REVISION: A MATERIAL NUMBER: SEE TABLE   CUSTOMER: GENERAL MARKET   SHEET NUMBER: 1 OF 1					
▽ = 0		GENERAL TOLERANCES (UNLESS SPECIFIED)									
▽ = 0		MM		INCH							
▽ = 0		4 PLACES ±		±							
▽ = 0		3 PLACES ±		±		EC NO: 612113					
▽ = 0		2 PLACES ±		±		DRWN: SRPATIL 2018/12/28					
▽ = 0		1 PLACE ±		±		CHK'D: DNGUYEN62 2019/02/21					
▽ = 0		0 PLACES ±		±		APPR: HKNEELAND 2019/03/02					
□ = 0		ANGULAR TOL ± °				INITIAL REVISION:					
▽ = 0		DRAFT WHERE APPLICABLE MUST REMAIN WITHIN DIMENSIONS				THIRD ANGLE PROJECTION		DRAWING		SERIES	
▽ = 0		C-SIZE		130146		DRWN: SRPATIL 2018/12/28					
▽ = 0		C-SIZE		130146		APPR: HKNEELAND 2019/03/02					