

LIST OF PARTS

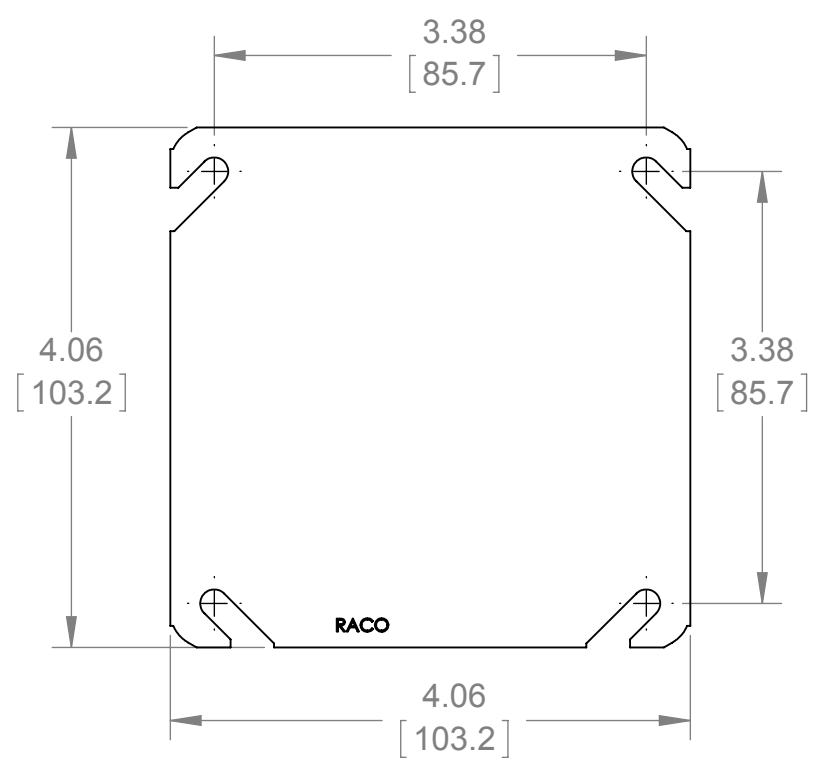
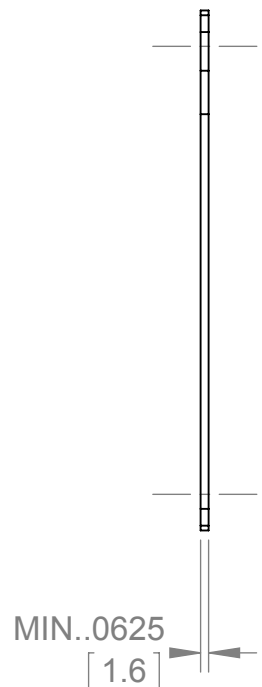
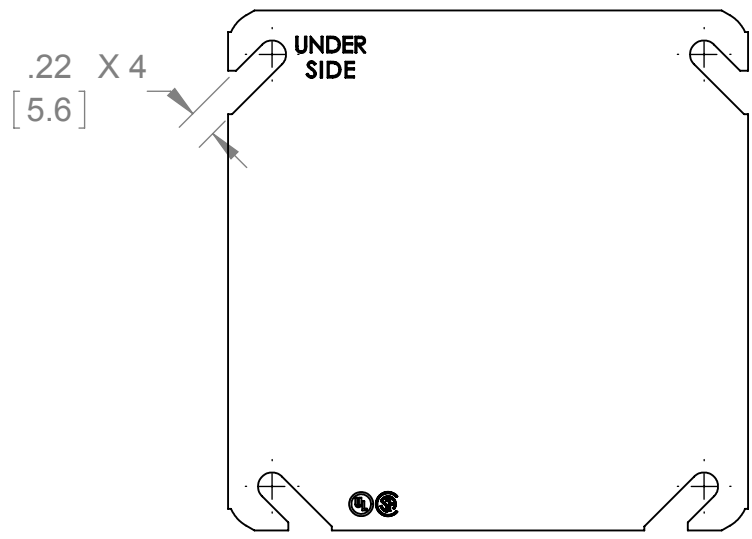
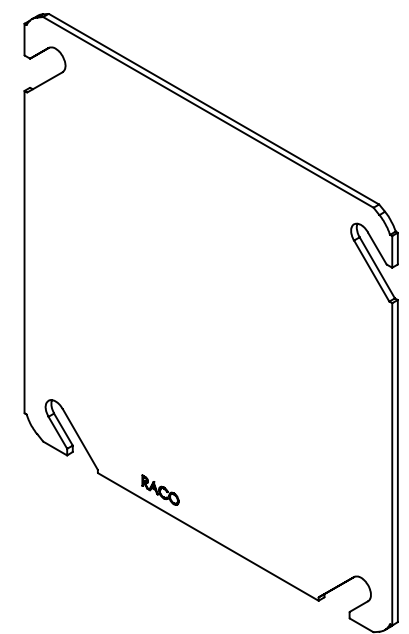
DESCRIPTION	MATERIAL	FINISH
COVER	STEEL	GALVANIZED

SYM.	REVISION DESCRIPTION	APP	DATE
	INITIAL RELEASE	N.S.	11/23/2015

THE DESIGN AND DIMENSIONS OF THE PRODUCT SHOWN ON THIS DRAWING ARE SUBJECT TO CHANGE WITHOUT NOTICE

TITLE:
CAT. # 752 4" SQUARE FLAT COVER

TOLERANCE UNLESS OTHERWISE SPECIFIED .XX DECIMAL ±.015 .XXX DECIMAL ±.005 ANGLE ±2°	RACO South Bend, Indiana		SCALE: 2:3
	DRAWN BY:	J.RICHARD	
	APP. BY:	N.S.	
	DATE:	11/23/2015	



- NOTES:
 1. ALL DIMENSIONS ARE IN INCHES AND [MILLIMETERS]
 2. CSA & UL LISTED