

INSTRUCTIONS

LED T5 Tube Series

RAB Lighting is committed to creating high-quality, affordable, well-designed and energy-efficient LED lighting and controls that make it easy for electricians to install and end users to save energy. We'd love to hear your comments. Please call the Marketing Department at 888-RAB-1000 or email: marketing@rablighting.com

T5-25-48G-8XX-DIR



SAFETY PRECAUTIONS

WARNINGS:

- **Make certain power is OFF before installing or maintaining fixture.**
- **RISK OF FIRE.** USE ONLY IN PLACE OF FLUORESCENT LAMPS SPECIFIED ON LABEL.
- **RISK OF ELECTRIC SHOCK.** SUITABLE FOR DAMP LOCATIONS.

SAFETY INFORMATION:

- (1) Check the lamp before installation, if there is any damage caused during transportation, do not install.
- (2) Maintenance should be carried out by technical personnel only.
- (3) Do not stare at the light source with bare eyes for a long time, or beam to others' eyes.
- (4) Do not place any objects on the lamp.
- (5) Keep the lamp away from flame or high temperature objects.
- (6) Only replace with same type of LED tube! Risk of electrical shock!
- (7) If the glass lamp tube is broken, the lamp must be disposed of immediately!

LED T5 lamp for use only with products described and installed in accordance with product specifications. LED T5 lamp to be operated with fluorescent electronic ballast.

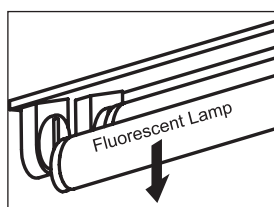
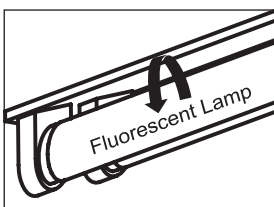
This product may cause interference to radio equipment and should not be installed near maritime safety communications equipment or other critical navigation or communication equipment operating between 0.45-30MHz

PRODUCT FEATURES

- UL certified
- Plug-n-Play replacement
- Full glass housing: no aging, yellowing, bending
- Compatible with programmed start electronic ballasts
- Product applications: widely used in residential buildings, offices, shopping malls, supermarkets, hospitals, assembly lines, warehouses, etc. for energy-saving illumination.

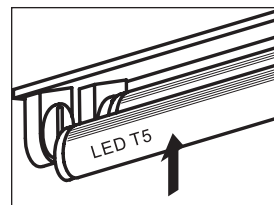
INSTALLATION INSTRUCTIONS

- 1) Make Sure power is OFF
- 2) Remove lens or diffuser (if applicable)
- 3) Remove existing fluorescent lamps from the luminaire



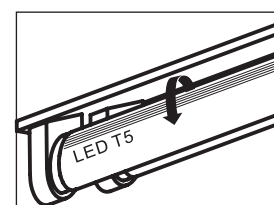
INSTALLATION INSTRUCTIONS (cont'd)

- 4) Bring LED lamp to luminaire and insert lamp pins into luminaire lamp holders



- 5) Rotate LED lamp until lamp locks in place. Ensure that the LED lamp front points away from the back of the luminaire.

Note: install LED T5 replacement lamp one for each fluorescent lamp removed.

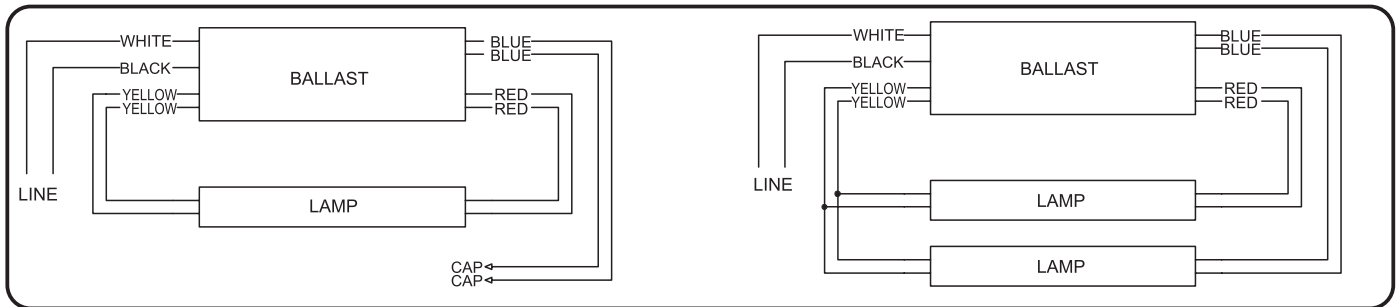


- 6) Place lens or diffuser back in place (if applicable)
- 7) Power ON.

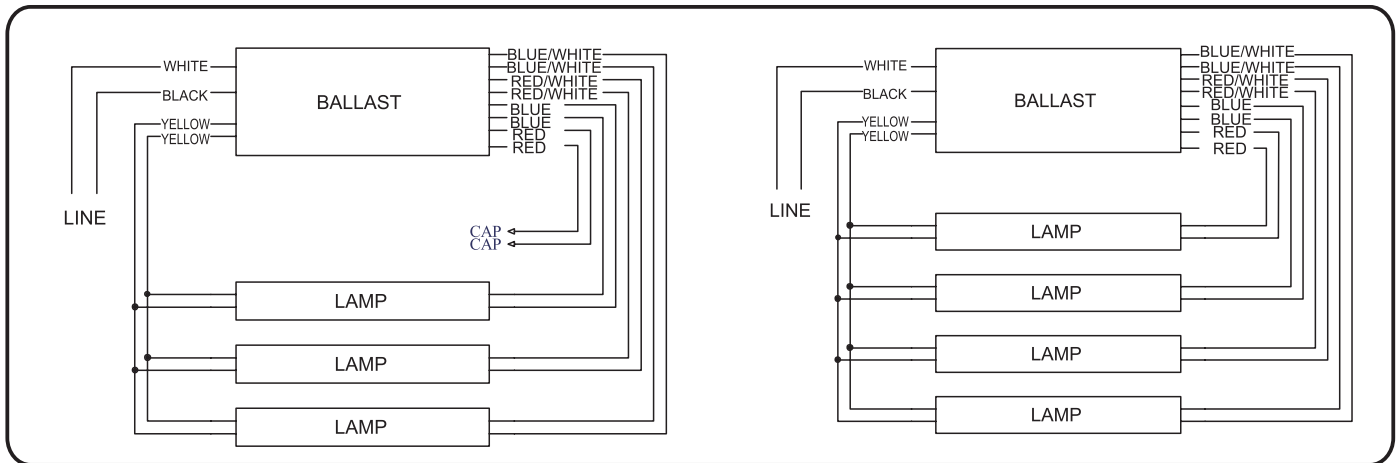
RAB Lighting is committed to creating high-quality, affordable, well-designed and energy-efficient LED lighting and controls that make it easy for electricians to install and end users to save energy. We'd love to hear your comments. Please call the Marketing Department at 888-RAB-1000 or email: marketing@rablighting.com

Program Start Ballast Wiring Diagram (Correct)

Two Lamps Ballast Correct Wiring

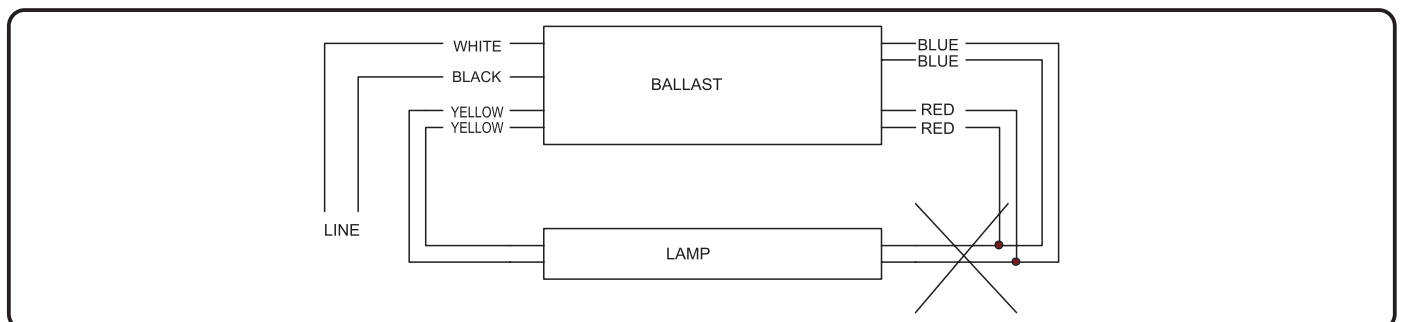


Four Lamps Ballast Correct Wiring



Program Start Ballast Wiring Diagram (Incorrect)

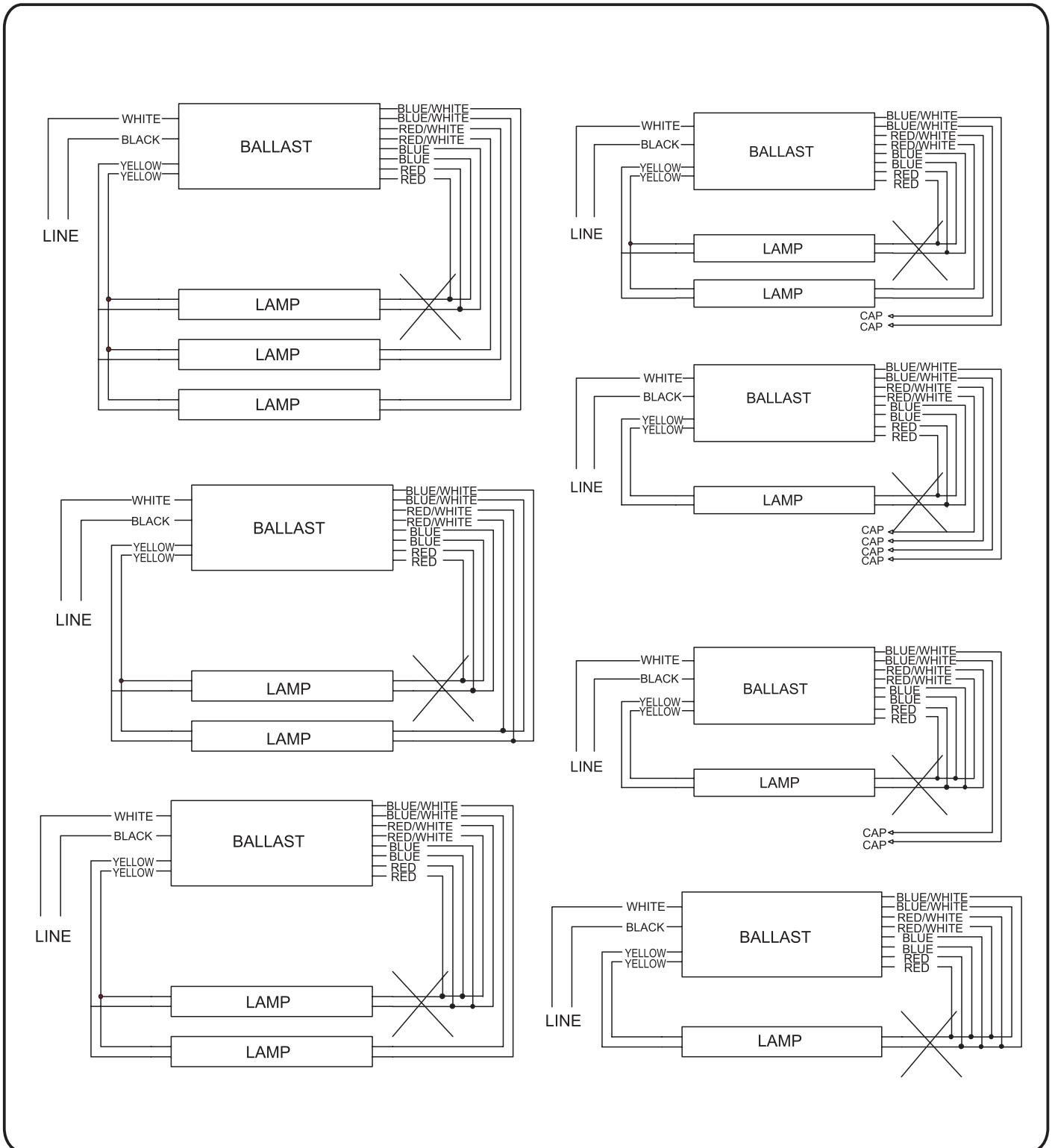
Two Lamps Ballast Incorrect Wiring



RAB Lighting is committed to creating high-quality, affordable, well-designed and energy-efficient LED lighting and controls that make it easy for electricians to install and end users to save energy. We'd love to hear your comments. Please call the Marketing Department at 888-RAB-1000 or email: marketing@rablighting.com

Program Start Ballast Wiring Diagram (Incorrect)

Four Lamps Ballast Incorrect Wiring



INSTRUCTIONS

LED T5 Tube Series

RAB Lighting is committed to creating high-quality, affordable, well-designed and energy-efficient LED lighting and controls that make it easy for electricians to install and end users to save energy. We'd love to hear your comments. Please call the Marketing Department at 888-RAB-1000 or email: marketing@rablighting.com

MAINTENANCE NOTES

- Disconnect lamp from power supply before any maintenance.
- Clean luminaire with dry cloth.
- Do not clean the lamp with corrosive chemicals.
- NOT FOR EMERGENCY LIGHTING.

WARNING

DO NOT INSTALL THIS LAMP IN A PRE-HEAT LUMINAIRE.

NOT SUITABLE FOR ENCLOSED LUMINAIRES.

THIS LAMP ONLY OPERATES ON ELECTRONIC BALLASTS.
If lamp does not light when the luminaire is energized, remove lamp from luminaire and contact lamp manufacturer or qualified electrician.

CAUTION RISK OF FIRE. If the lamp or luminaire exhibits undesirable operation (buzzing, flickering, etc.), immediately turn off power, remove lamp from luminaire and contact manufacturer.