

# Mounted Zone Cabling Enclosures and Brackets Wall Mounted Enclosure Accessory Fan Kit for QuadCab

# HUBBELL

## Features

- Each fans is 57 CFM, two fans per panel

## Ordering Information

VAC	Finish	Catalog Number	UPC Number
230V	Black	HWKF230	662620838748



## Specifications

Material	Cold rolled steel
Accessory for	QuadCab

## Characteristics

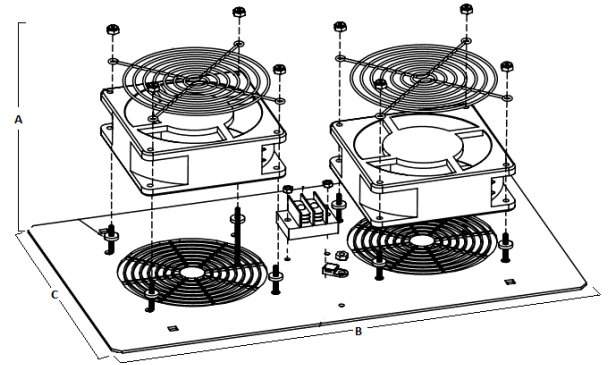
CFM	114
-----	-----

## Accessories

Black Velcro Roll	HVFBK575
9" Velcro Strips, Yellow	MCCMV9YL10

## Online Resources

Customer Drawing  
Customer Use Drawing  
eCatalog



## Dimensions- inches (mm)

A	2.1" (53)
B	15.5" (394)
C	9" (229)