

Fire-Rated Poke-Throughs
SystemOne Recessed
4-Inch Diameter Core Hole

HUBBELL

Features

- 180 degree cover opening to lay flat and reduce tripping hazards
- One hide-away egress cable door
- Die cast aluminum cover construction for enhanced durability
- UL Scrub Water Compliant
- ADA Compliant

Ordering Information

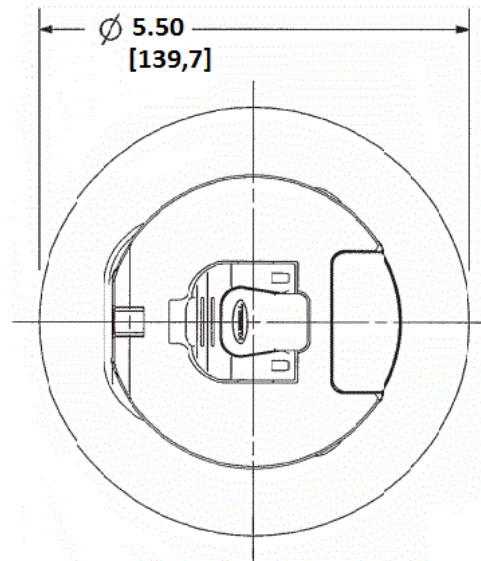
Style	Finish	UPC Number	Catalog Number
Surface Cover	Brass	783585446011	S1R4CVRBRS

Listings

cULus Listed
UL scrub water compliant
UL 514A Listed

Specifications

Cover Material	Die Cast Aluminum
Flange height	0.13 in.
Load Rating	1000 lbs. static load through 3" diameter mandrel (w/ 2x safety factor)
Cover finish	Brushed brass plated



Related Products

Compatible with S1R4PTFIT

Online Resources

[Customer Sales Drawings](#)
[eCatalog](#)
[Installation Instructions](#)

Dimensions in Inches (mm)

Hubbell Wiring Device-Kellems • Hubbell Incorporated (Delaware) • 40 Waterview Drive • Shelton, CT 06484

Phone (800) 288-6000 • Fax (800) 255-1031 • Specifications subject to change without notice.

