

Fire-Rated Poke-Throughs
SystemOne Recessed
4-Inch Diameter Core Hole



Features

- One 3/4" EMT for Power, Two 1/2" EMT for Low Voltage
- Cover Orderd Separately
- Sub-plate Ordered Separately
- Junction Box Included

Ordering Information

- Fire-Rated Poke-Through Fitting Only.
- Requires Cover and Sub-Plate for Complete Installation

| | | | |
|------------------------------------|-----------------------------------|--------------------------------|-------------------------------------|
| Catalog Number S1R4PTFIT | UPC Number 783585445953 | Cover Series S1R4CVR | Core Hole Diameter 4-Inch |
|------------------------------------|-----------------------------------|--------------------------------|-------------------------------------|

| | |
|--|------------------------------------|
| Minimum Deck Thickness 2.25" Over Metal Deck | Connection Type Recessed |
|--|------------------------------------|

Standards

cULus & ULC Listed
 UL scrub water compliant
 ADA Compliant

Specifications

| | |
|--|---|
| Cover load rating | 1000 lbs. static load through 3" diameter mandral |
| Access cover material (ordered separately) | Die cast aluminum |
| Fire Rating | 1 - 2 Hour Fire Rating |

Required

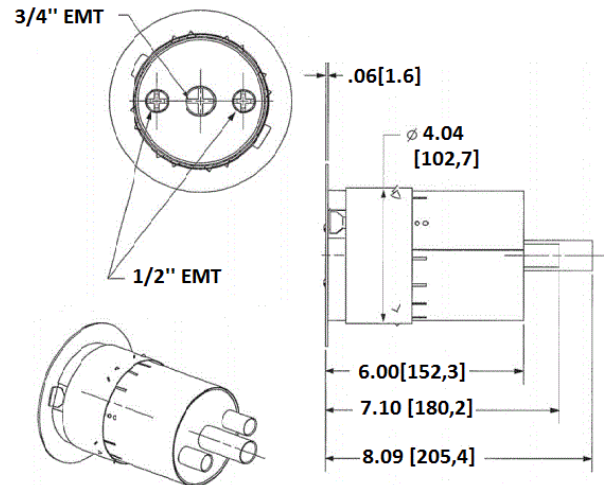
Covers and Sub-Plates [Click here](#)

Accessories

| | |
|---|-----------------|
| 20A USB receptacle with 2 USB charging ports | USB20X2W |
| 20A Self-Test GFCI Receptacle | GFRST20W |
| 20A Decorator Receptacle | DR20WHI |
| 4" Pre-Pour Tube, removed need for core hold drilling | S1R4PPT |

Online Resources

Customer Use Drawing
 eCatalog
 Installation Instructions



Dimensions in Inches (mm)

Hubbell Wiring Device-Kellems • Hubbell Incorporated (Delaware) • 40 Waterview Drive • Shelton, CT 06484

Phone (800) 288-6000 • Fax (800) 255-1031 • Specifications subject to change without notice.

